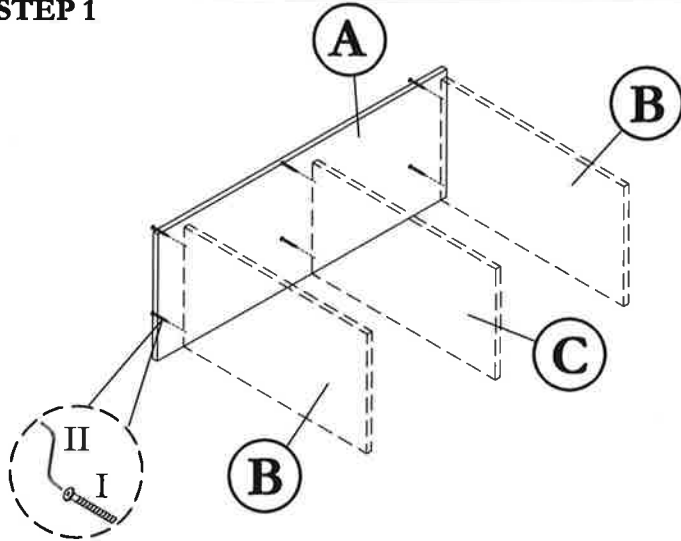


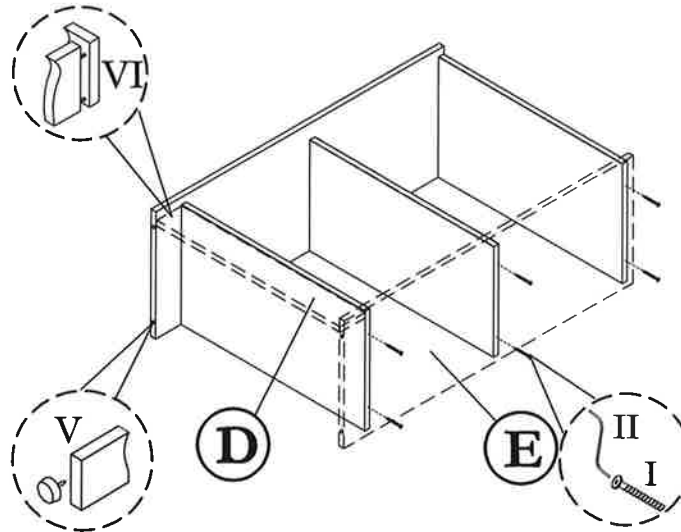
**ASSEMBLY INSTRUCTION**  
**MODEL : 5210 / SHOE RACK**

Before you begin, please follow assembly instruction carefully.  
 Then follow them step by step.

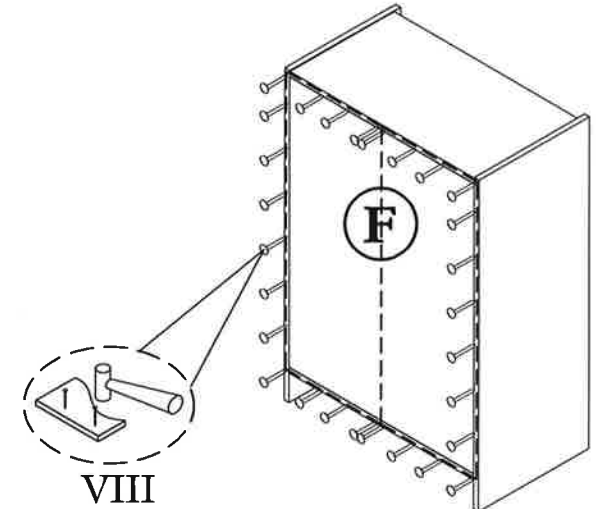
**STEP 1**



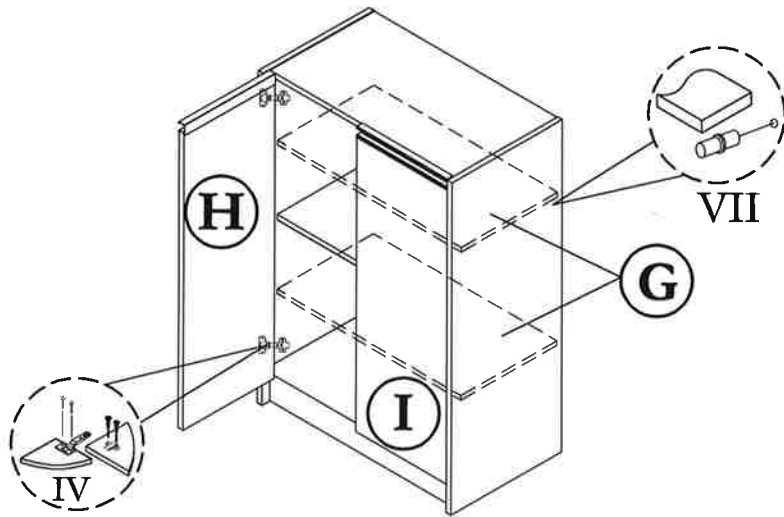
**STEP 2**



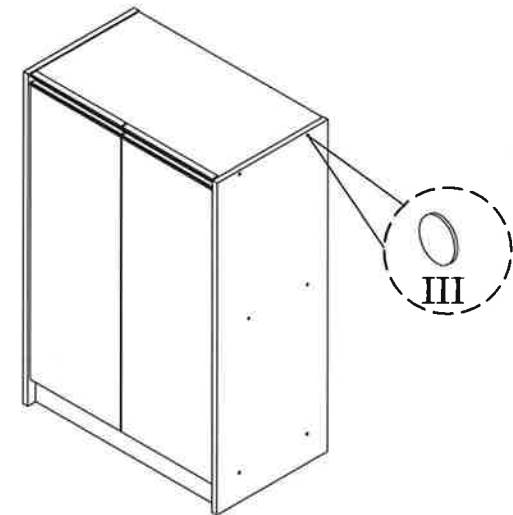
**STEP 3**



**STEP 4**



**STEP 5**



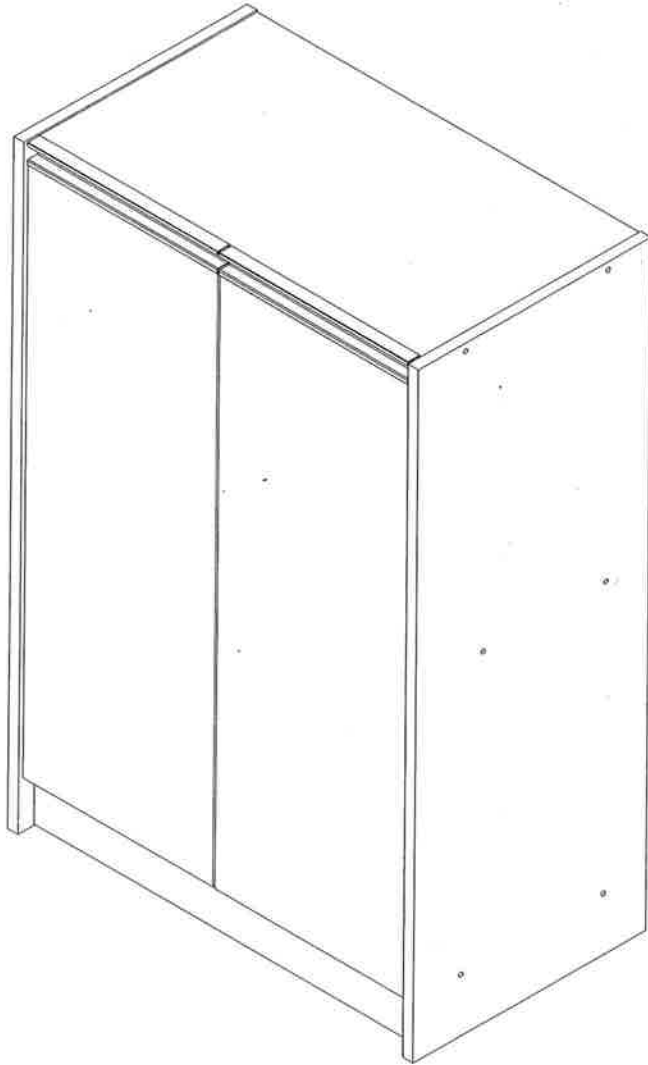
**HARDWARE LIST**

NO	DESCRIPTION	QTY
I	JCBCW SCREW M6.3 x 50	12pcs
II	M4 ALLEN KEY	1pc
III	STICKER	12pcs

IV	HINGE (C) & SCREW M3.5 x 16	4sets
V	PVC NAIL WITH PIN	4pcs
VI	M8 x 30 PLASTIC DOWEL	4pcs
VII	SHELF SUPPORT	8pcs
VIII	NAIL	50pcs


**CAUTION:**

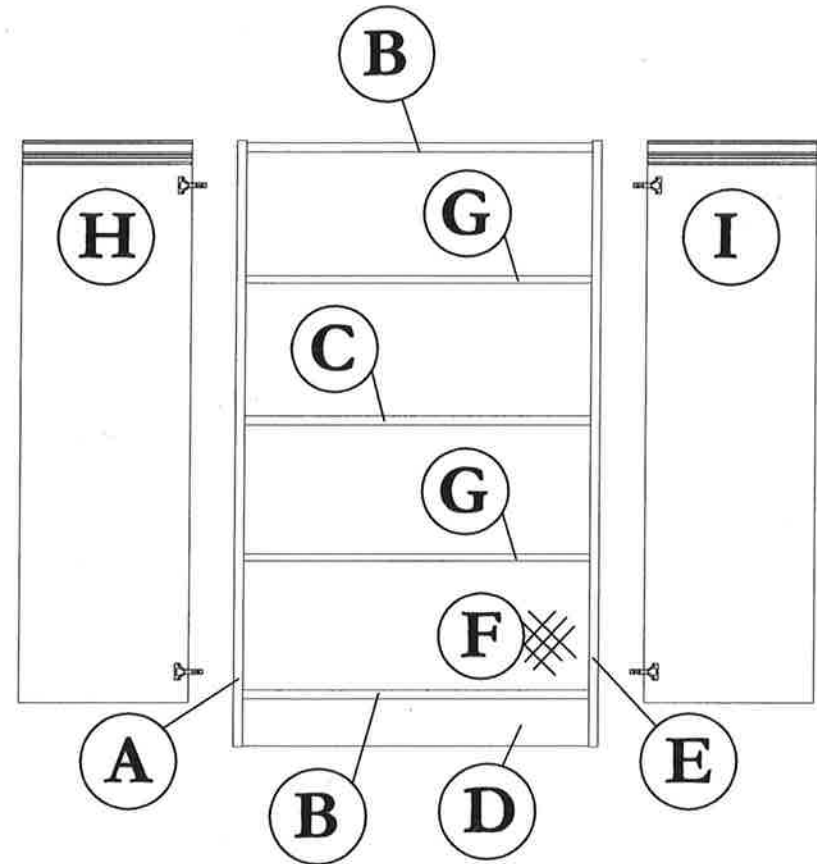
To clean use soft, dry cloth. Do not use detergent or chemicals  
Avoid contact with water and direct sunlight.  
To be assembled on a soft, dry, clean and smooth surface.



**COMPLETE SET**

**ORDERING REPAIR PARTS**

In order to obtain smooth and rapid service when ordering repair parts,  
please give full attention to the following of PART NUMBER.



NO	DESCRIPTION	QTY
A	LEFT SIDE	01
B	LOWER/UPPER SHELF	02
C	CENTRE SHELF	01
D	LEG	01
E	RIGHT SIDE	01

NO	DESCRIPTION	QTY
F	BACK	02
G	MOVABLE SHELF	02
H	LEFT SIDE DOOR	01
I	RIGHT SIDE DOOR	01