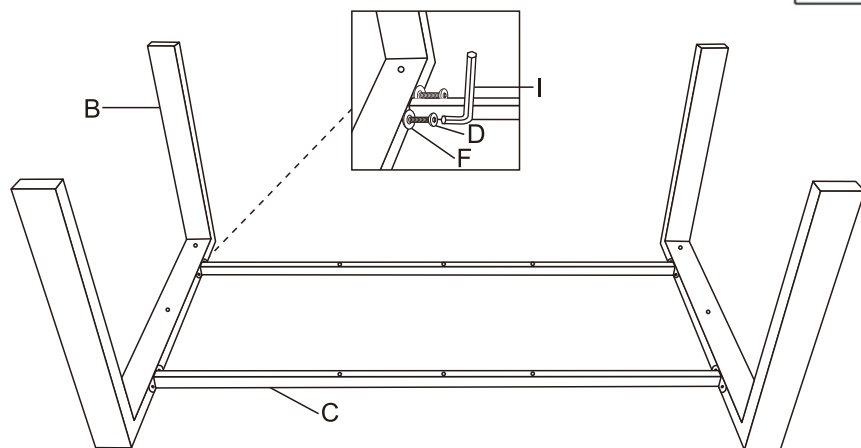
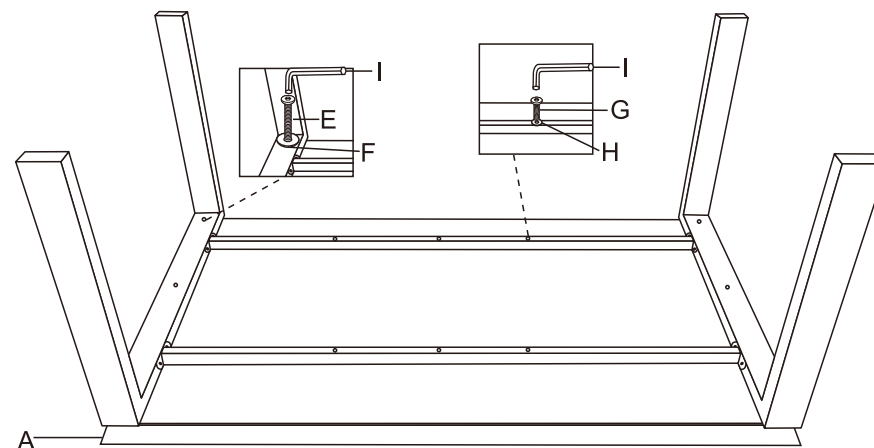


Assembly Instruction 51918

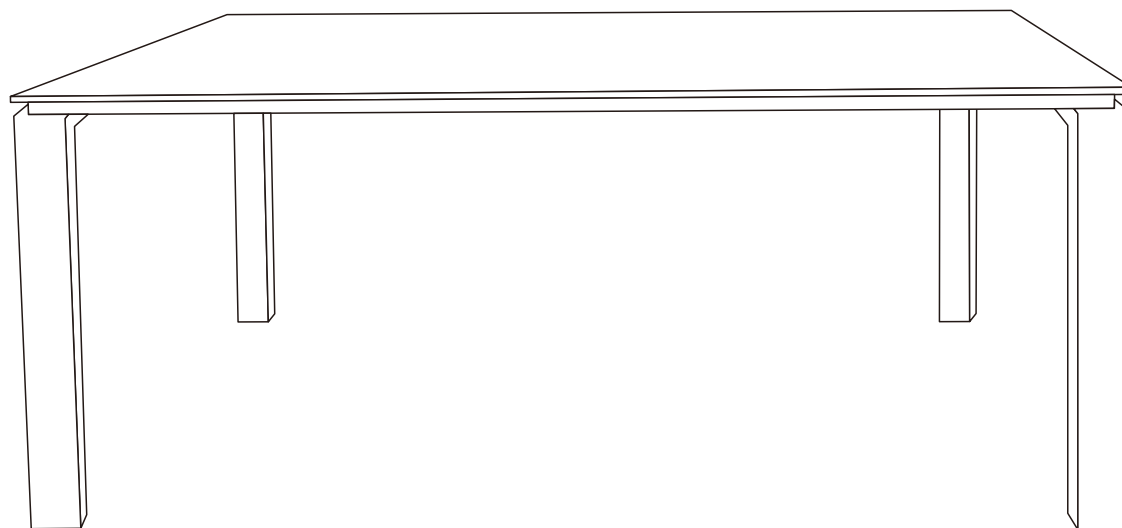
1.



2.



3.



| | | |
|---|--------------|----|
| A | | 1 |
| B | | 2 |
| C | | 2 |
| D | 8x20 | 8 |
| E | 8x60 | 6 |
| F | 8x16X1.5 | 14 |
| G | 6x55 | 6 |
| H | 6x16X1.5 | 6 |
| I | M5 | 1 |