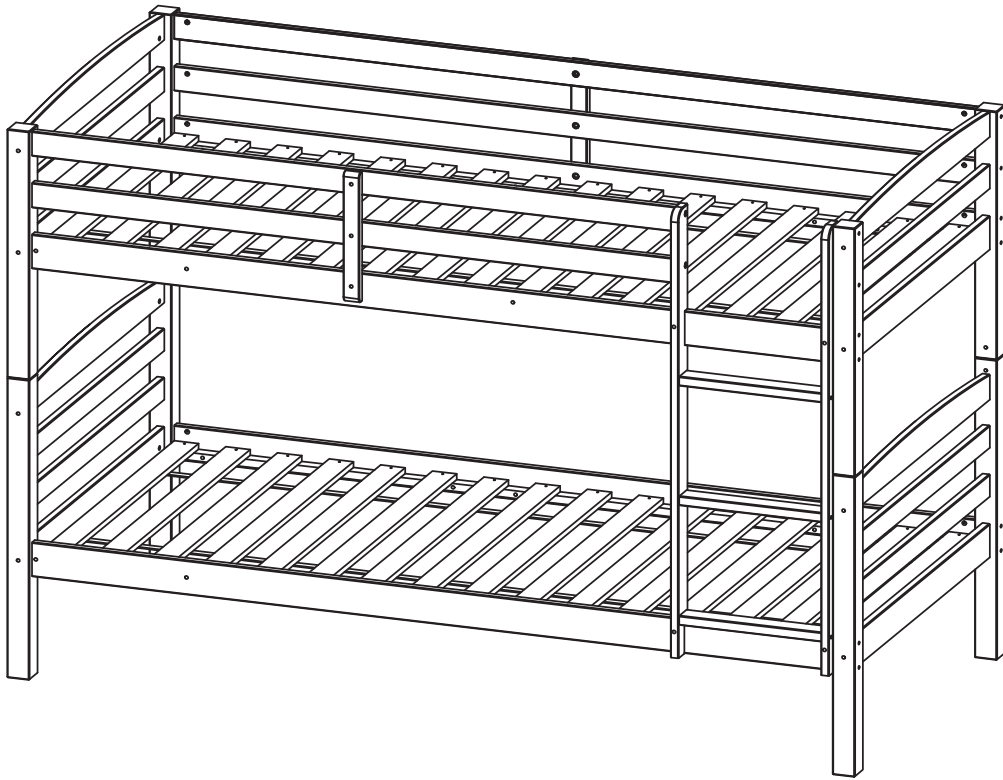


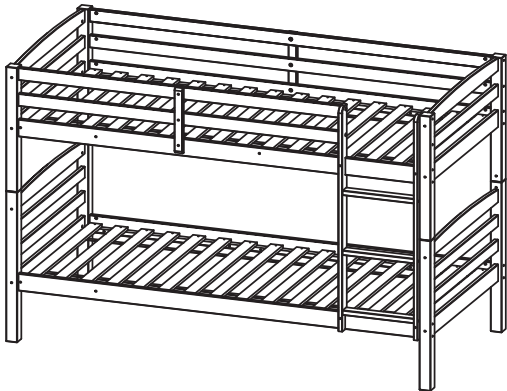
EN - Instructions for use

IMPORTANT – READ CAREFULLY – KEEP FOR FUTURE REFERENCE

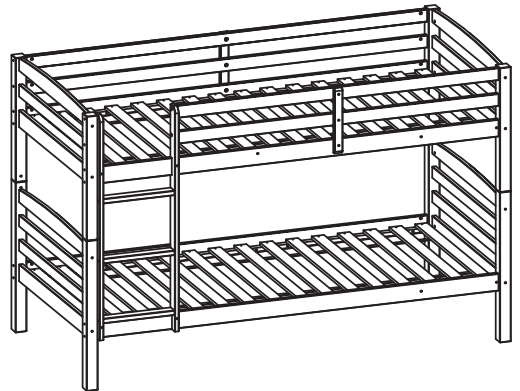
- a) WARNING "High beds and the upper bed of bunk beds are not suitable for children under six years due to the risk of injury from falls";
- b) WARNING "Bunk beds and high beds can present a serious risk of injury from strangulation if not used correctly. Never attach or hang items to any part of the bunk bed that are not designed to be used with the bed, for example, but not limited to ropes, strings, cords, hooks, belts and bags"
- c) WARNING "Children can become trapped between the bed and the wall, a roof pitch, the ceiling, adjoining pieces of furniture (e.g. cupboards) and the like. To avoid risk of serious injury the distance between the top safety barrier and the adjoining structure shall not exceed 75 mm or shall be more than 230 mm";
- d) **WARNING** Do not use the upper bunk bed or a raised bed if a part of the structure is missing or broken. Spare parts should be requested from the manufacturer or shop.
- e) It is essential that the manufacturer's instructions on assembly and use are followed.
- f) The recommended size of the mattress to be used with the bed is 2000mm x 900mm, **Maximum mattress thickness: 100mm**,
- g) Mattresses must be aired to maintain a low humidity and to stop moisture building up in the bed and its surroundings.
- k) The fastenings put in place on assembly should all be properly tightened and regularly checked. Retighten the fastenings as necessary.
- l) This complies with the requirements of the European Safety Standard EN747-1&2:2012+A1:2015
- m) The presence of a night light could give more safety for a child sleeping in an upper bed.



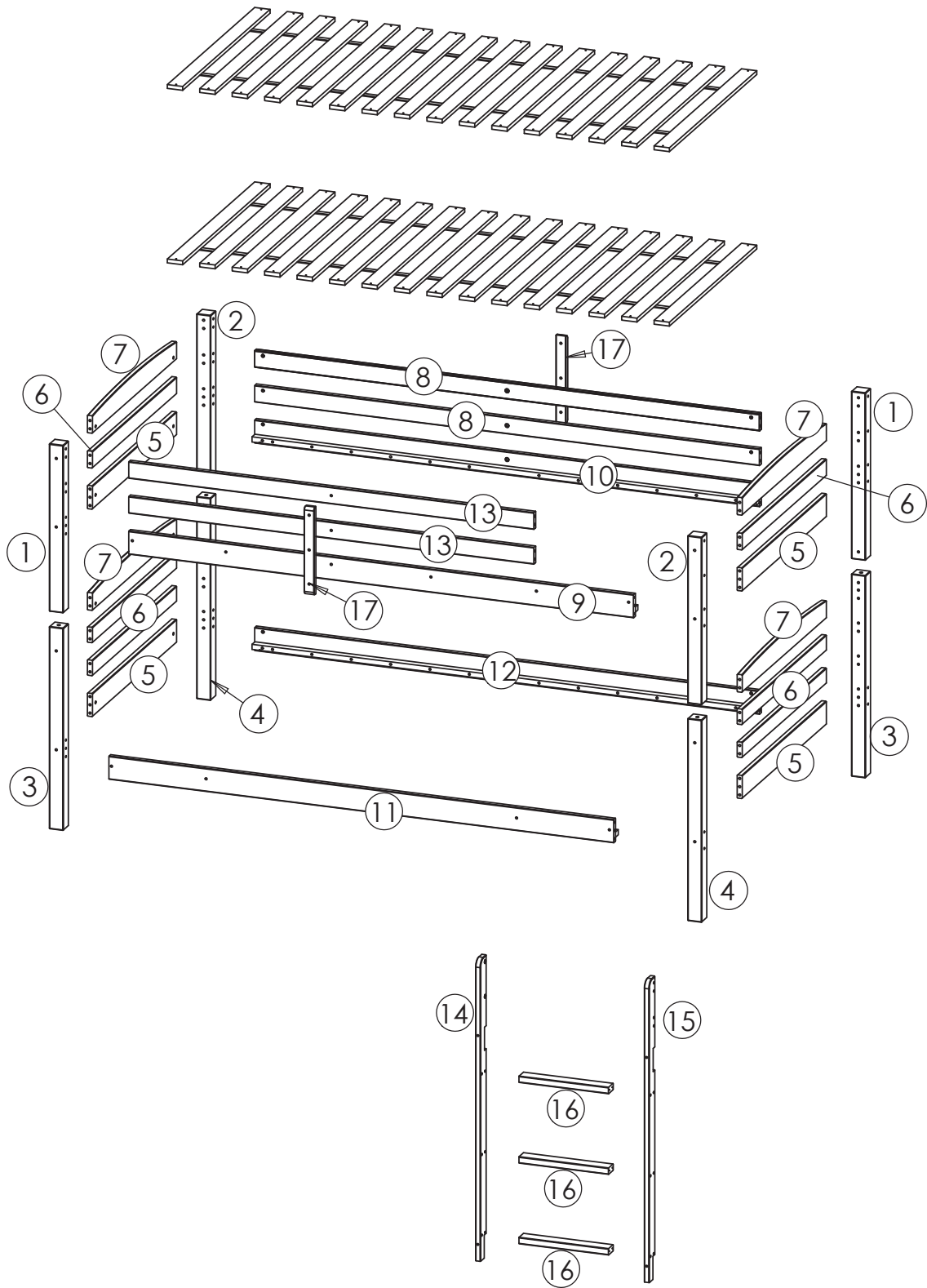
OPTION 1

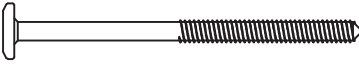











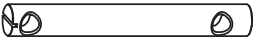
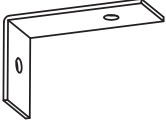


OPTION 2

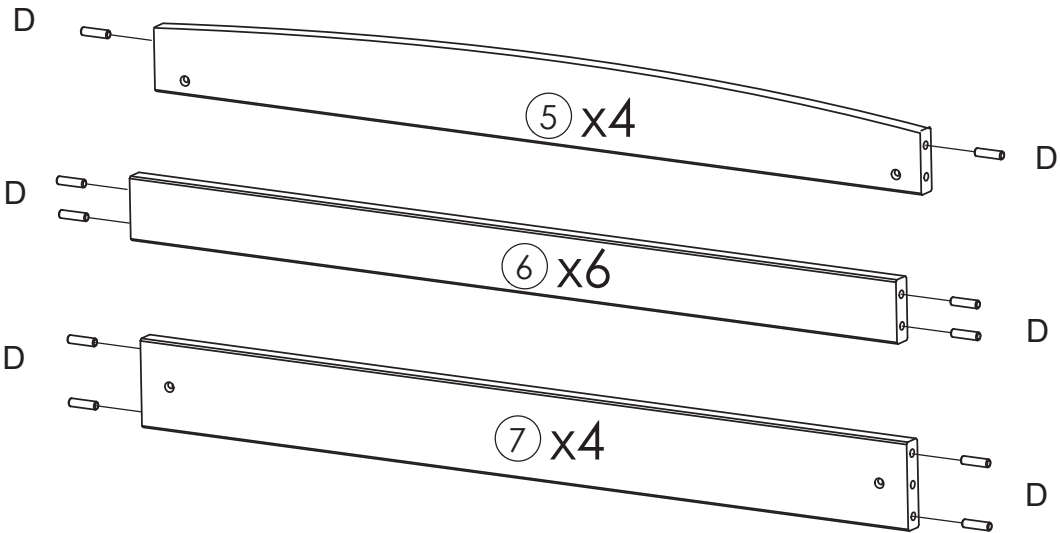



COMPONENTS



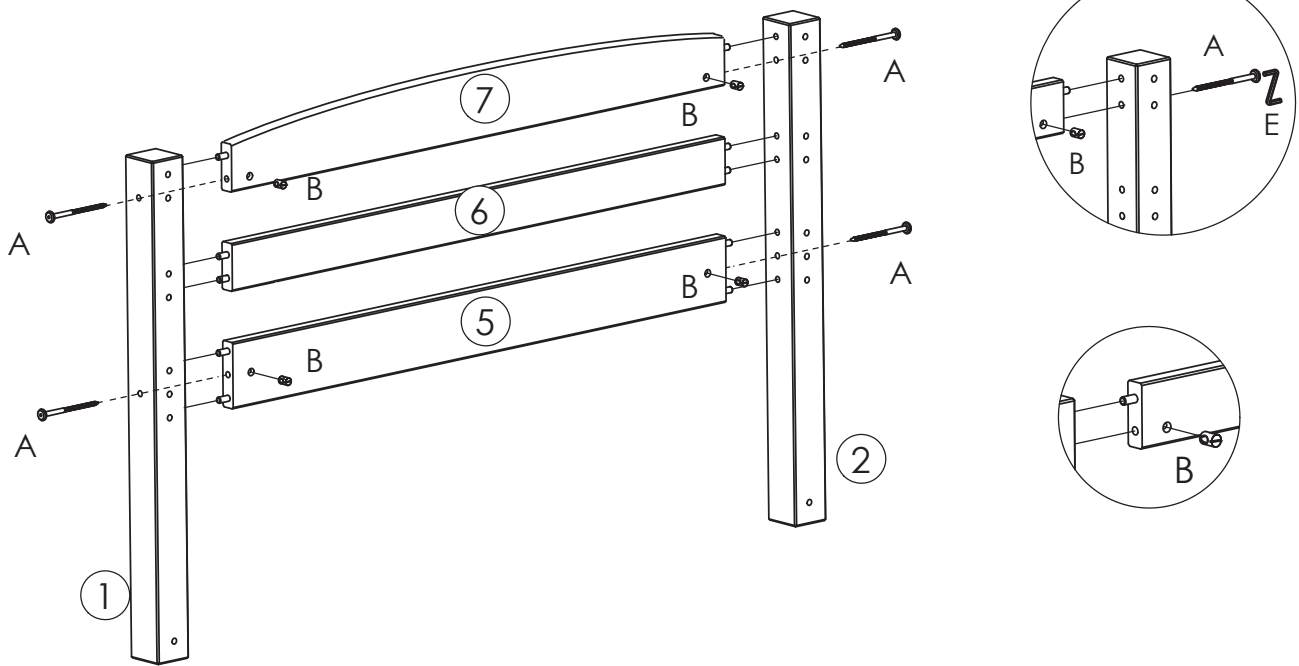
<p>AX38 M6x90mm</p> 	<p>BX40</p> 	<p>CX14 M6x30mm</p> 	<p>DX64 Ø8x30mm</p> 
<p>EX2</p> 	<p>FX64 Ø4x30mm</p> 	<p>GX12 M6x20mm</p> 	<p>HX12 Ø6x60mm</p> 
<p>IX4 M6x60mm</p> 	<p>JX4 M6x50mm</p> 	<p>KX2 Ø3.5x16mm</p> 	<p>LX5</p> 
<p>MX4</p> 	<p>NX2</p> 		

1

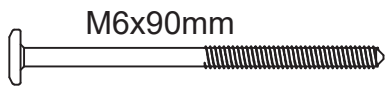


Ø8x30mm
 DX48

2



X2

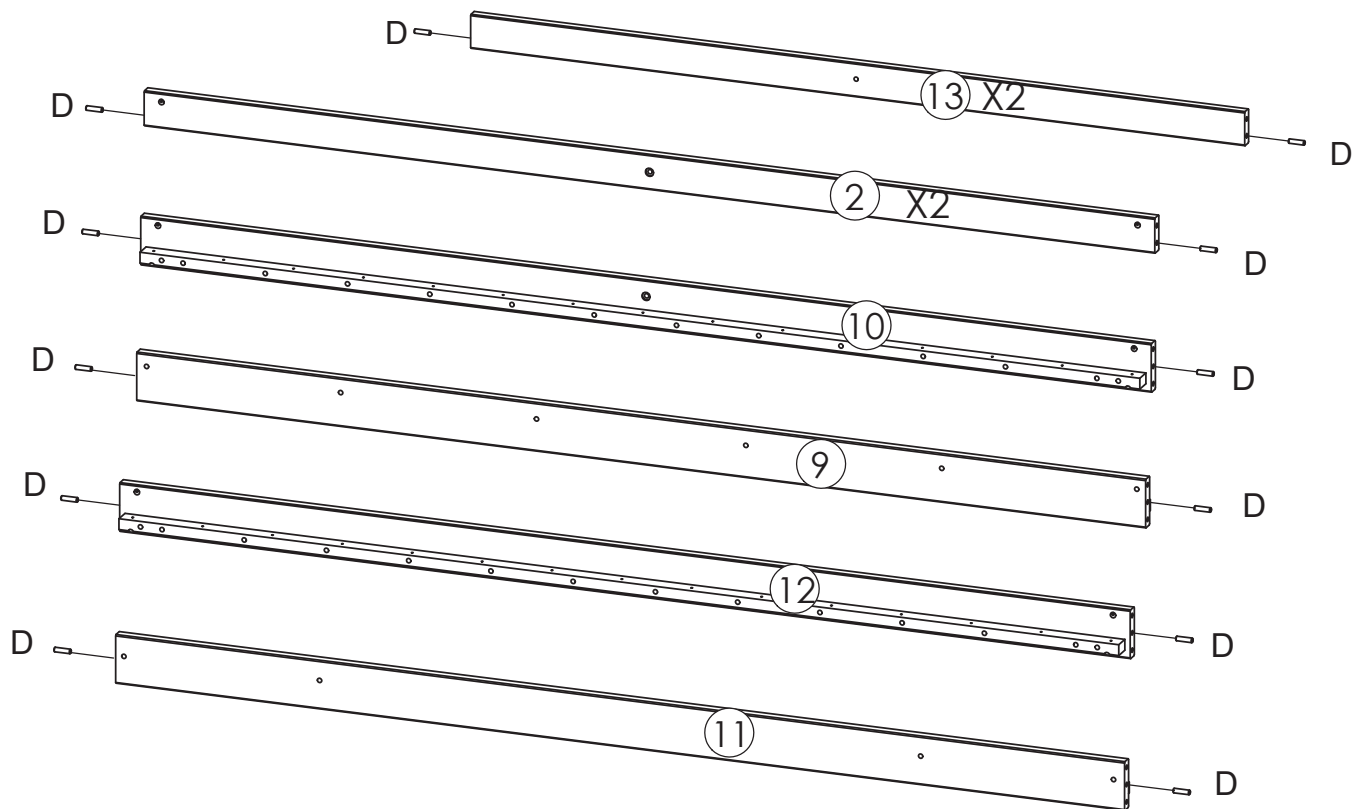


BX8



EX1

3

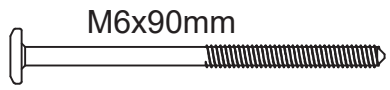
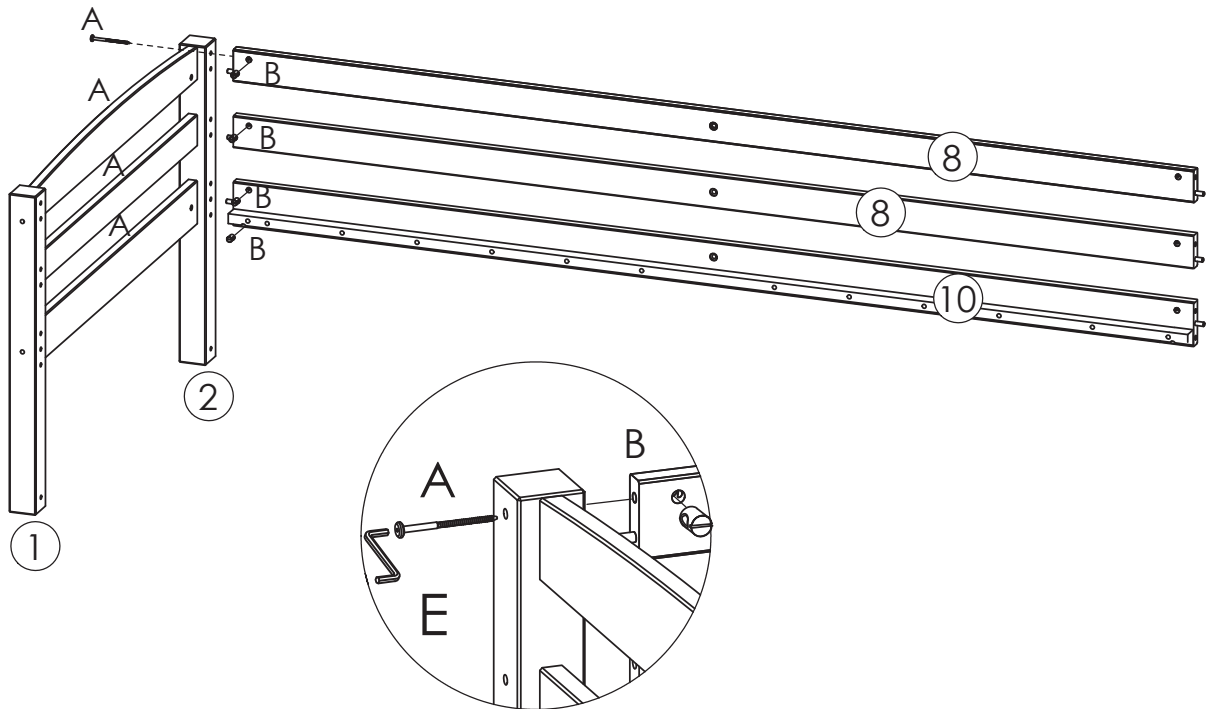


Ø8x30mm



DX16

4



M6x90mm

AX4

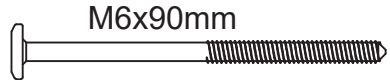
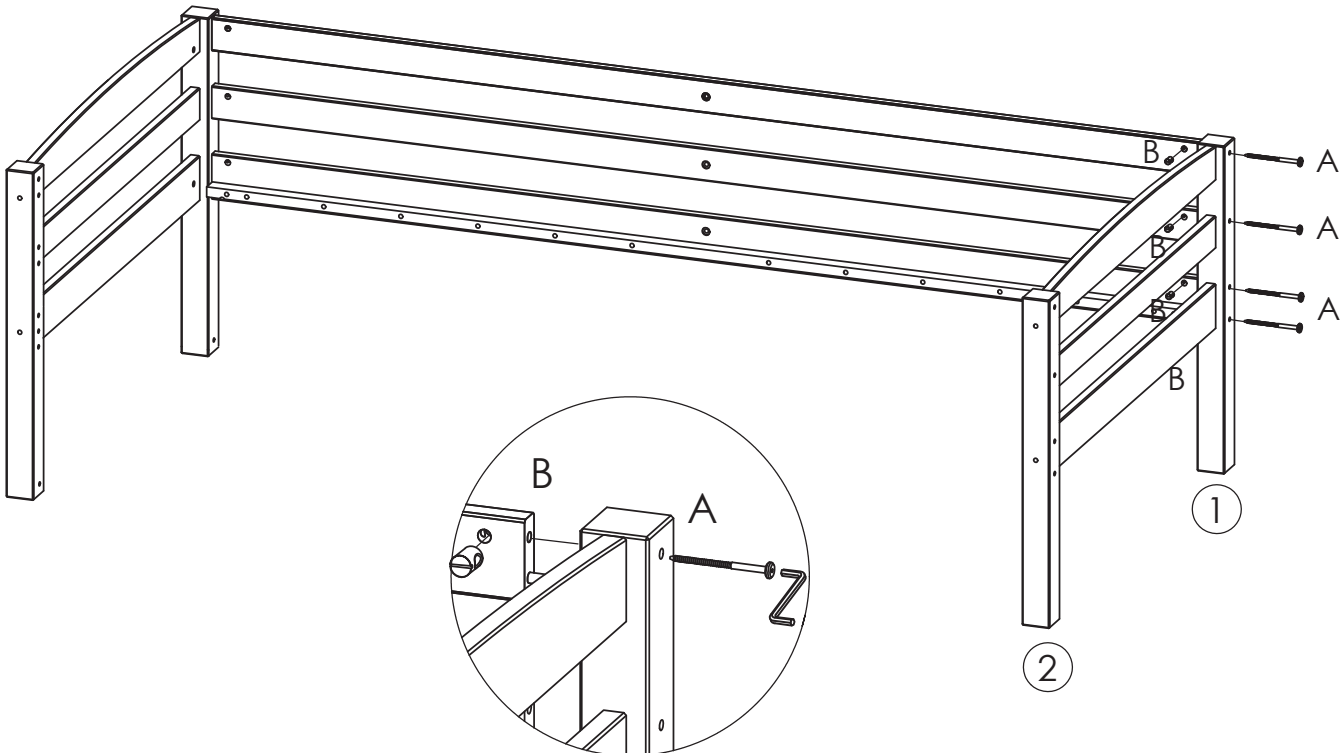


BX4



EX1

5



M6x90mm

AX4

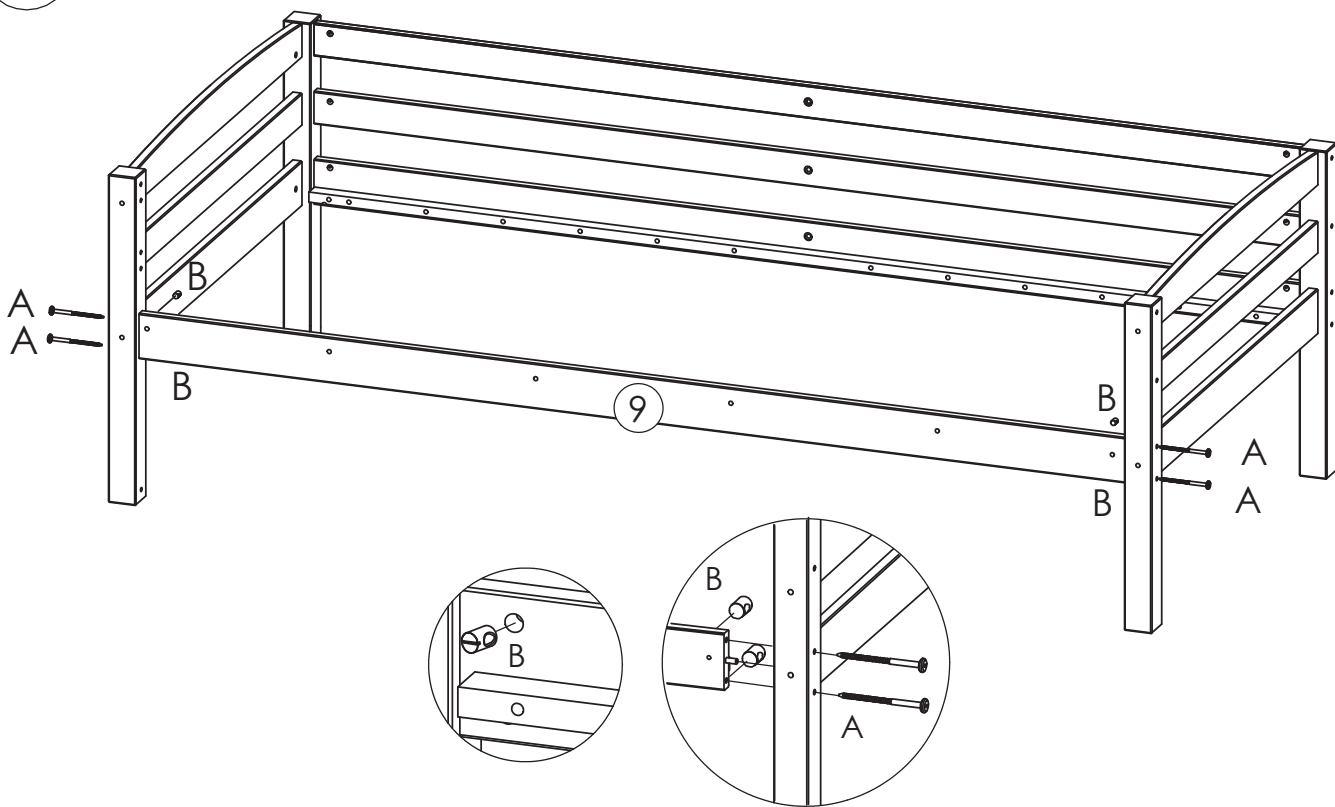


BX4

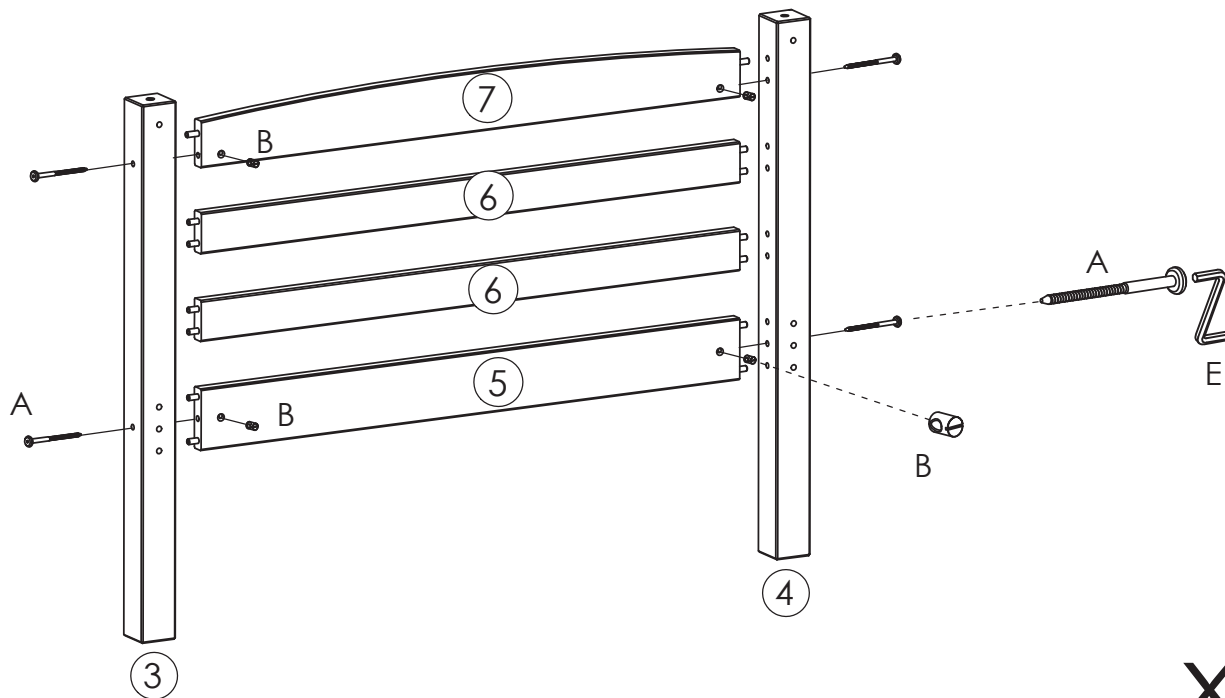


EX1

6



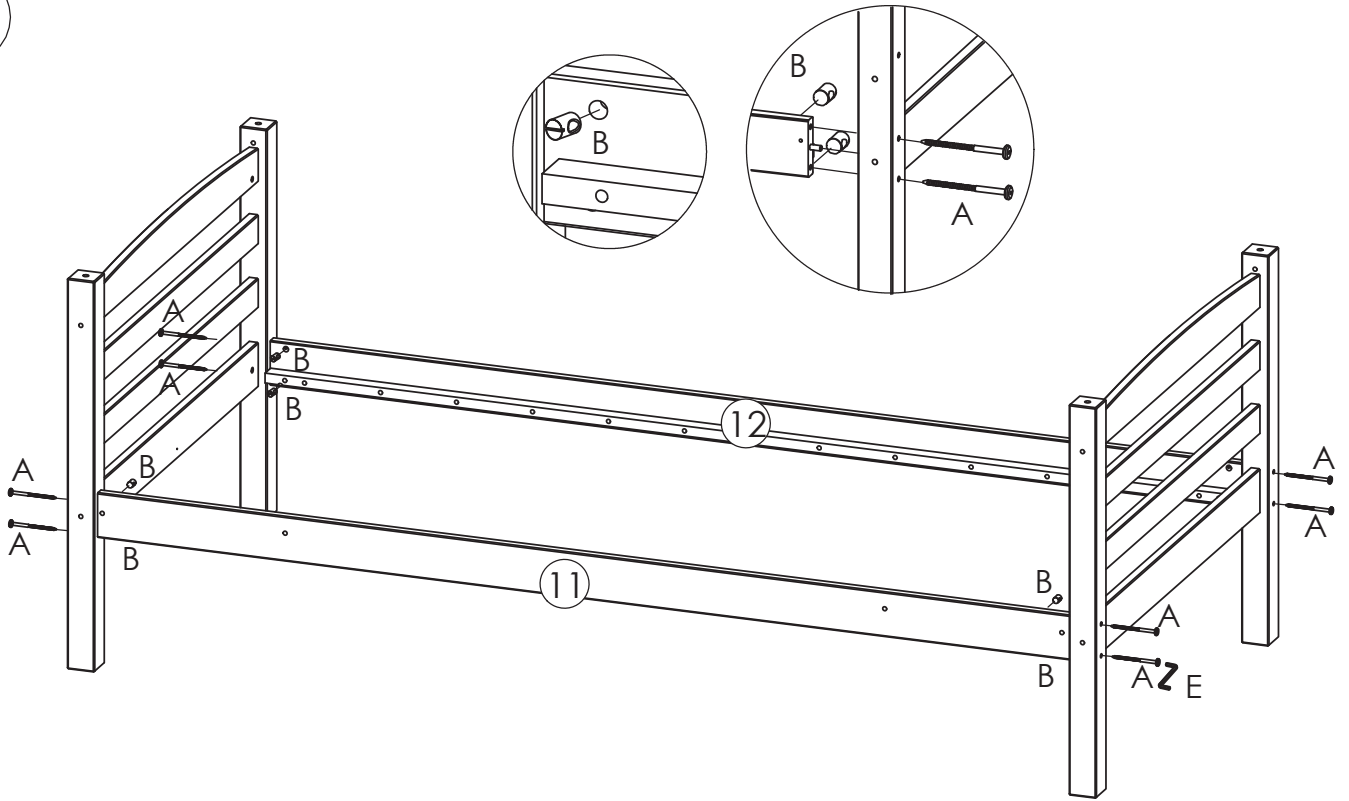
7



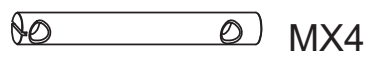
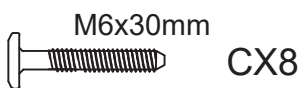
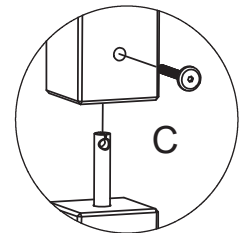
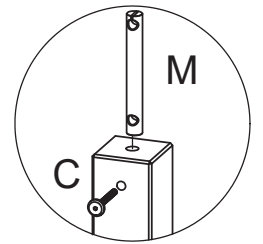
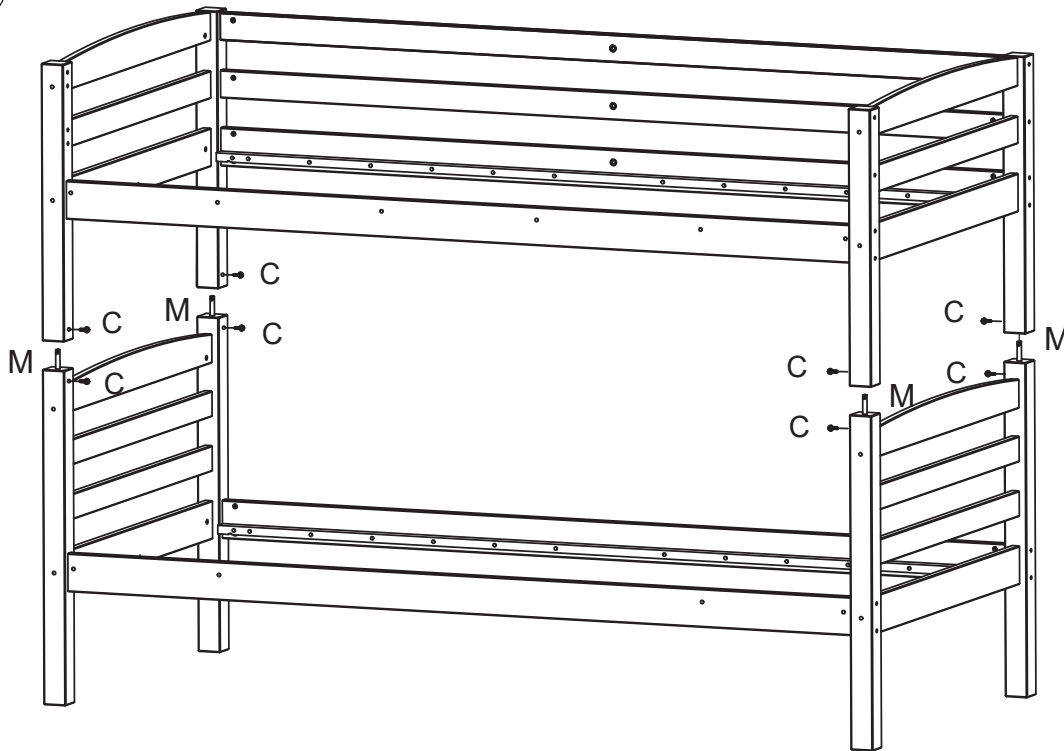
X2



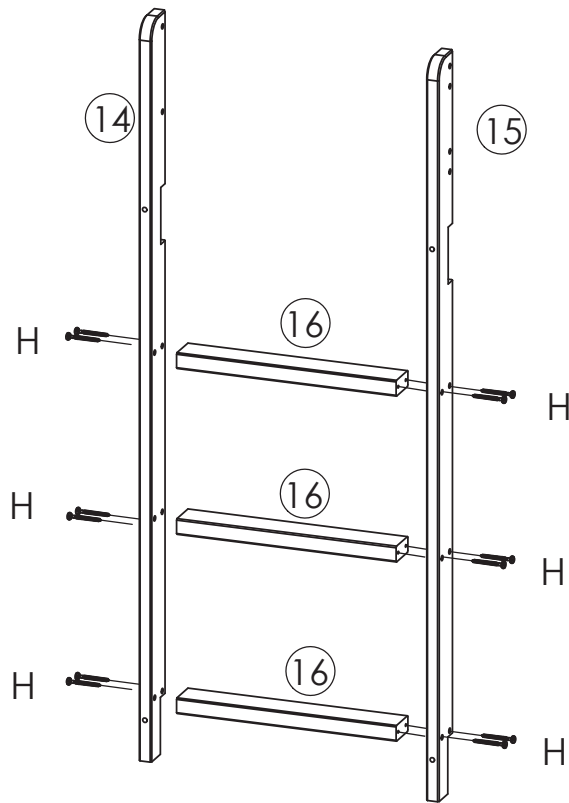
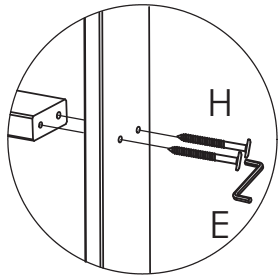
8




9

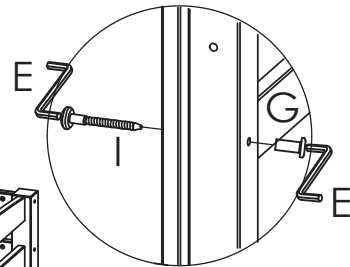
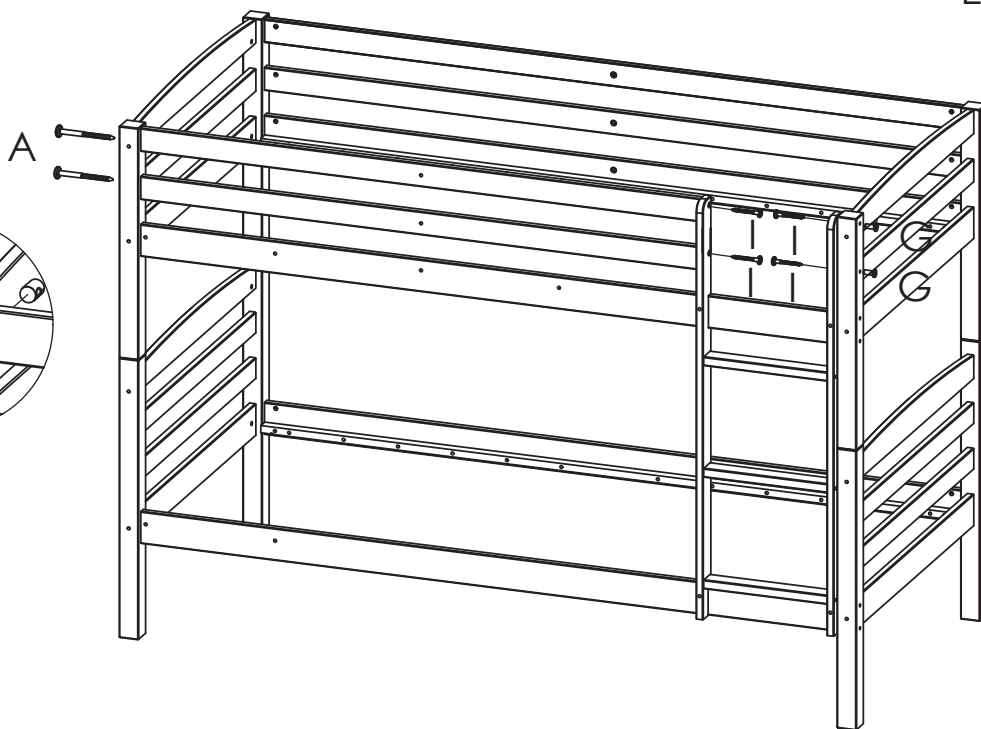
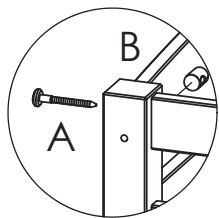




10



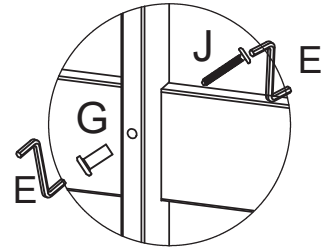
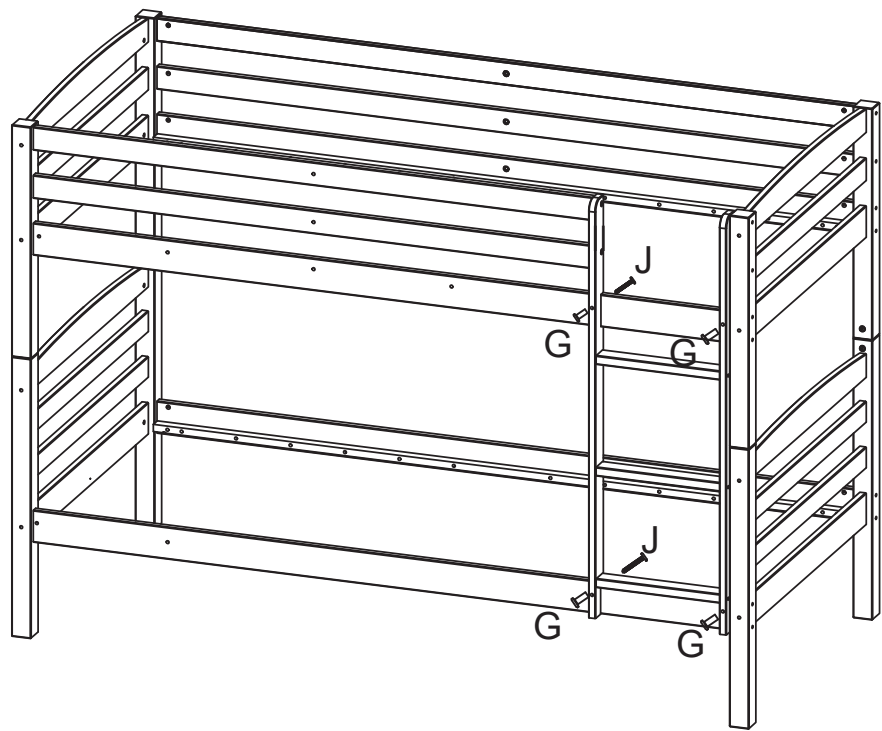
Ø6x60mm HX12  EX1

11



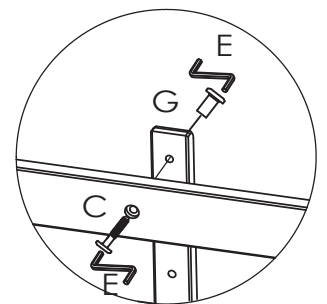
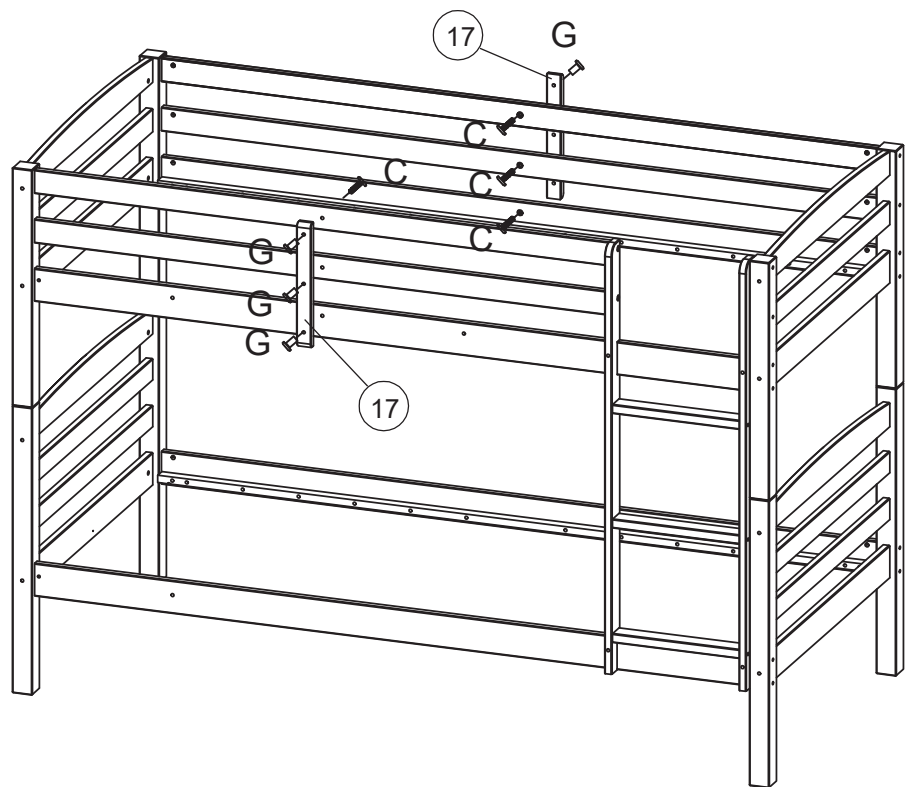
M6x90mm AX2  BX2 M6x20mm GX2 M6x60mm IX4  EX2

12



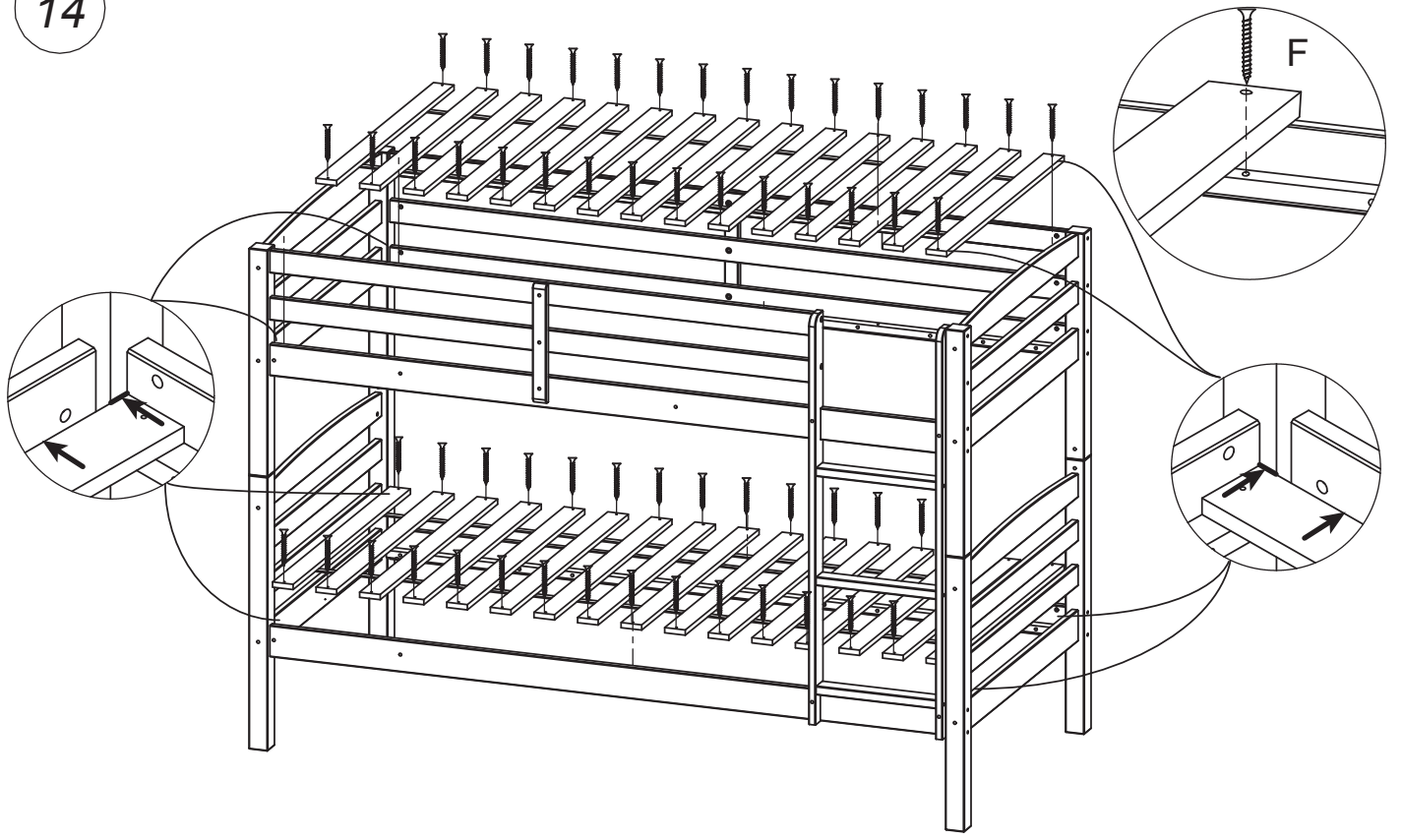
- M6x20mm
GX4
- M6x50mm
JX4
- EX2

13



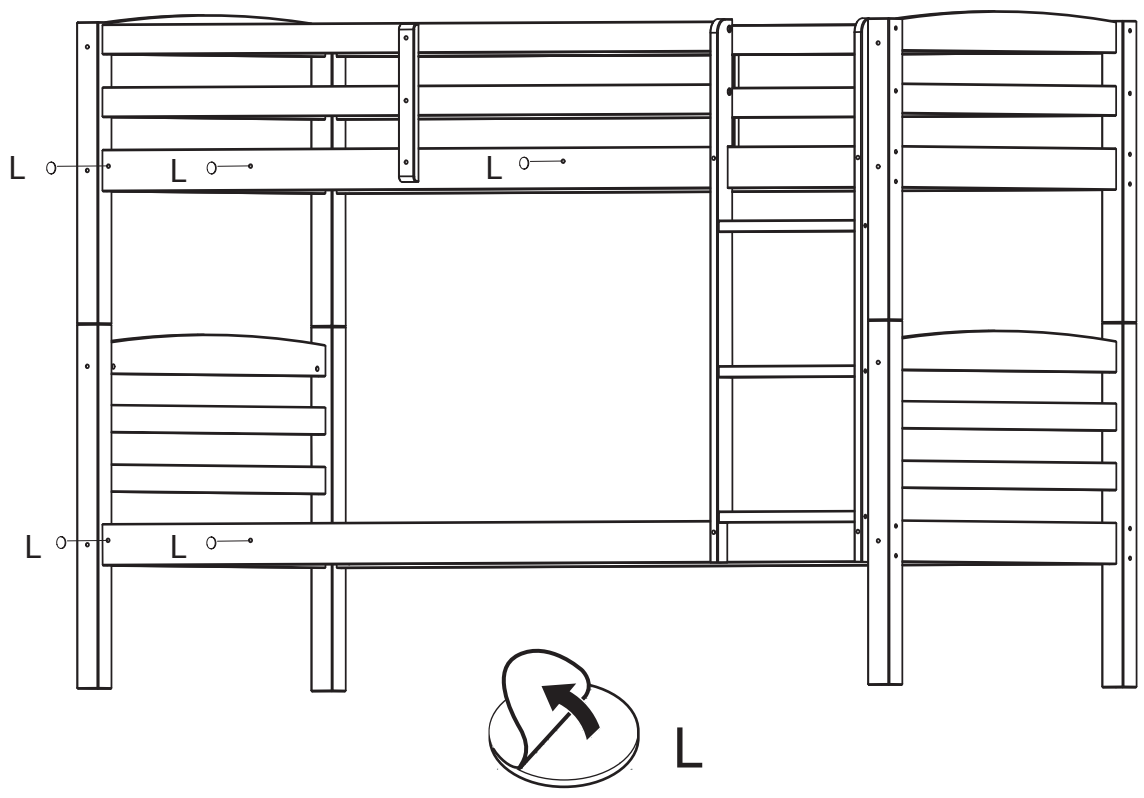
- M6x30mm
CX6
- M6x20mm
GX6
- EX2

14



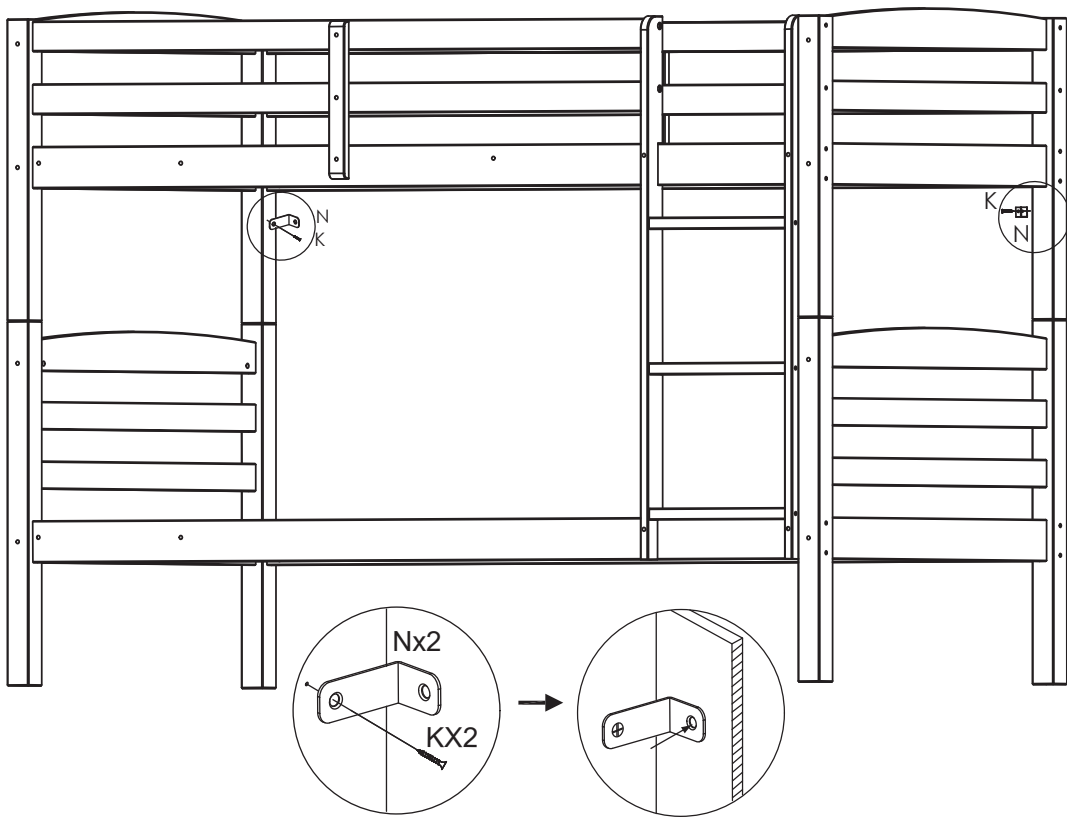
Ø4x30mm
 FX64

15



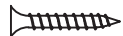
 LX5

16



NX2

Ø3.5x16mm



KX2

