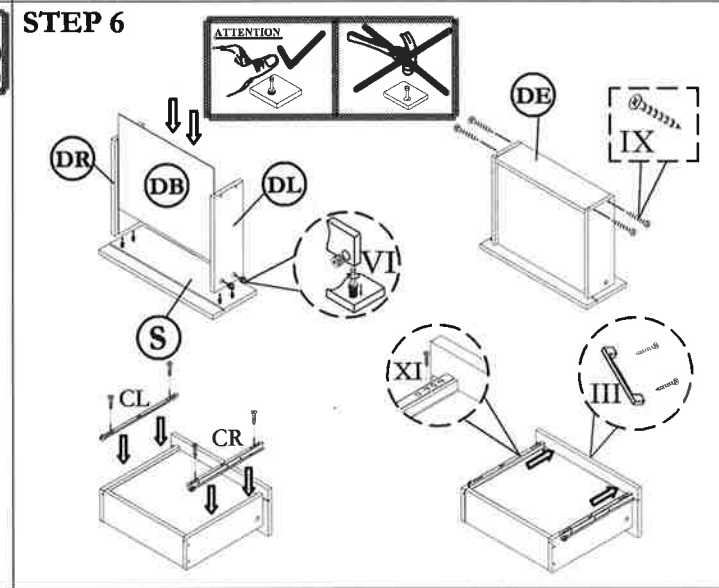
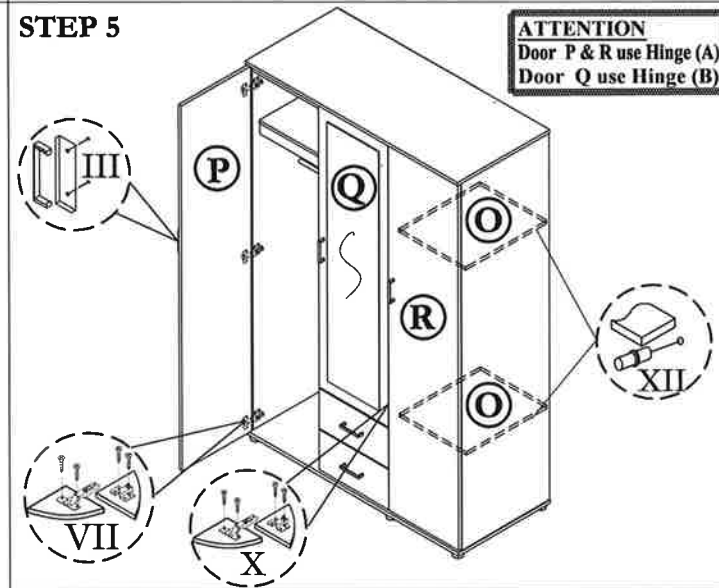
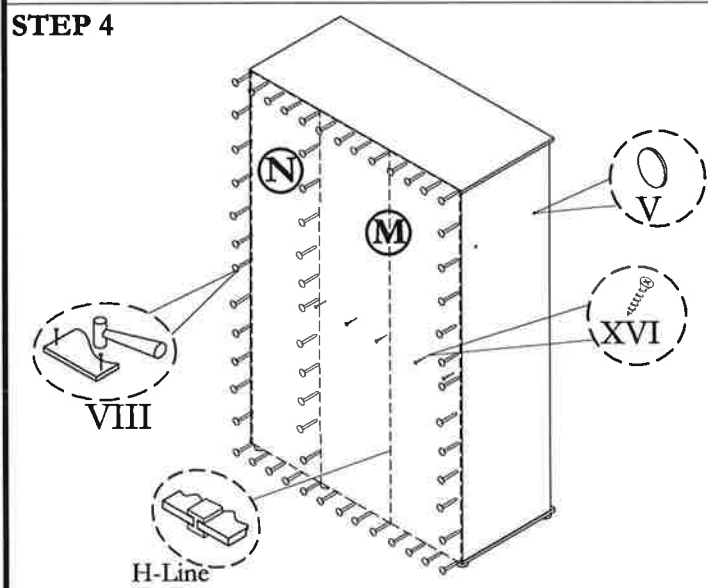
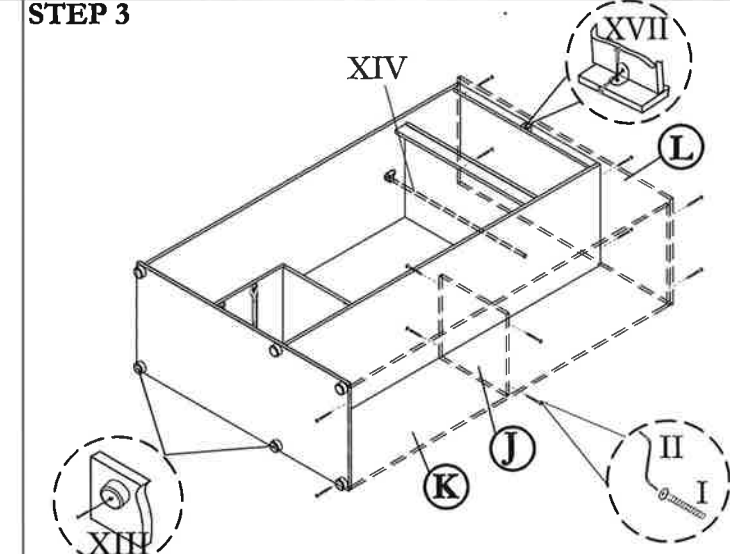
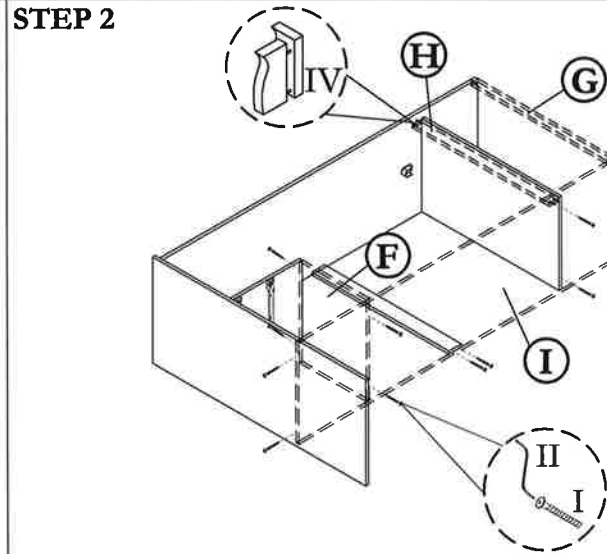
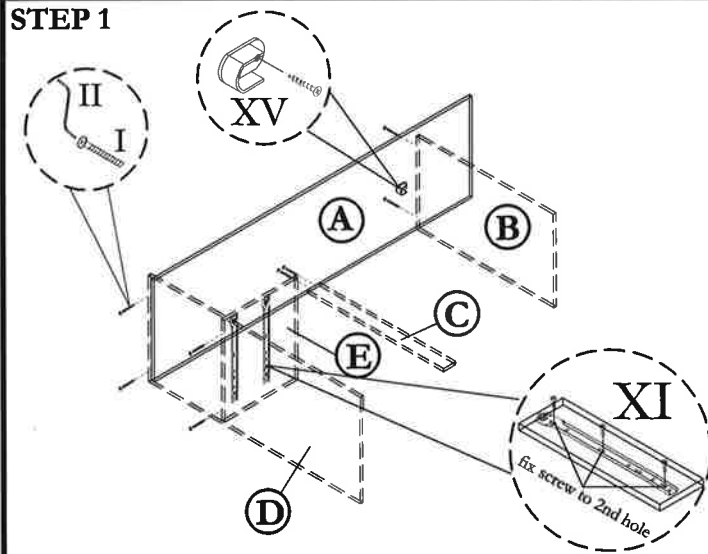


ASSEMBLY INSTRUCTION

MODEL : 6915 MARC / WARDROBE

Before you begin, please follow assembly instruction carefully.
Then follow them step by step.



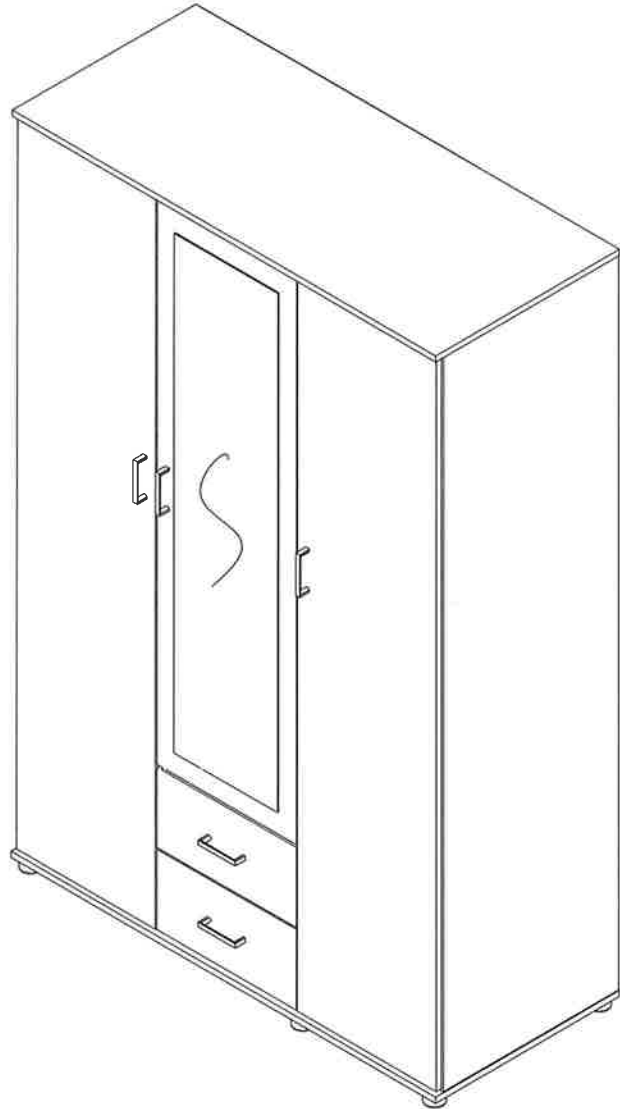
| HARDWARE LIST | | |
|---------------|--------------------------|-------|
| NO | DESCRIPTION | QTY |
| I | JCBCW SCREW M6.3 x 50 | 30pcs |
| II | M4 ALLEN KEY | 1pc |
| III | HANDLE & SCREW M3.5 x 30 | 5sets |
| IV | PLASTIC DOWEL M8 x 30 | 6pcs |
| V | STICKER | 8pcs |

| | | |
|------|-------------------------------------|-------|
| VI | Q-FIT | 8sets |
| VII | HINGE (A) & SCREW M3.5 x 14 | 6sets |
| VIII | NAIL | 60pcs |
| IX | M8 x 32 CHIPBOARD SCREW | 8pcs |
| X | HINGE (B) & SCREW M3.5 x 14 | 3sets |
| XI | 14" DRAWER SLIDER & SCREW M3.5 x 14 | 2sets |
| XII | SHELF SUPPORT | 8pcs |

| | | |
|------|---------------------------------------|-------|
| XIII | PVC LEG & SCREW M3.5 x 30 | 6sets |
| XIV | PIPE WOOD SIZE : 30 $\frac{11}{16}$ " | 1pc |
| XV | PIPE SUPPORT & SCREW M3.5 x 14 | 2sets |
| XVI | M3.5 x 14 CHIPBOARD SCREW | 5pcs |
| XVII | L-BRACKET & SCREW M3.5 x 14 | 1sets |

CAUTION:

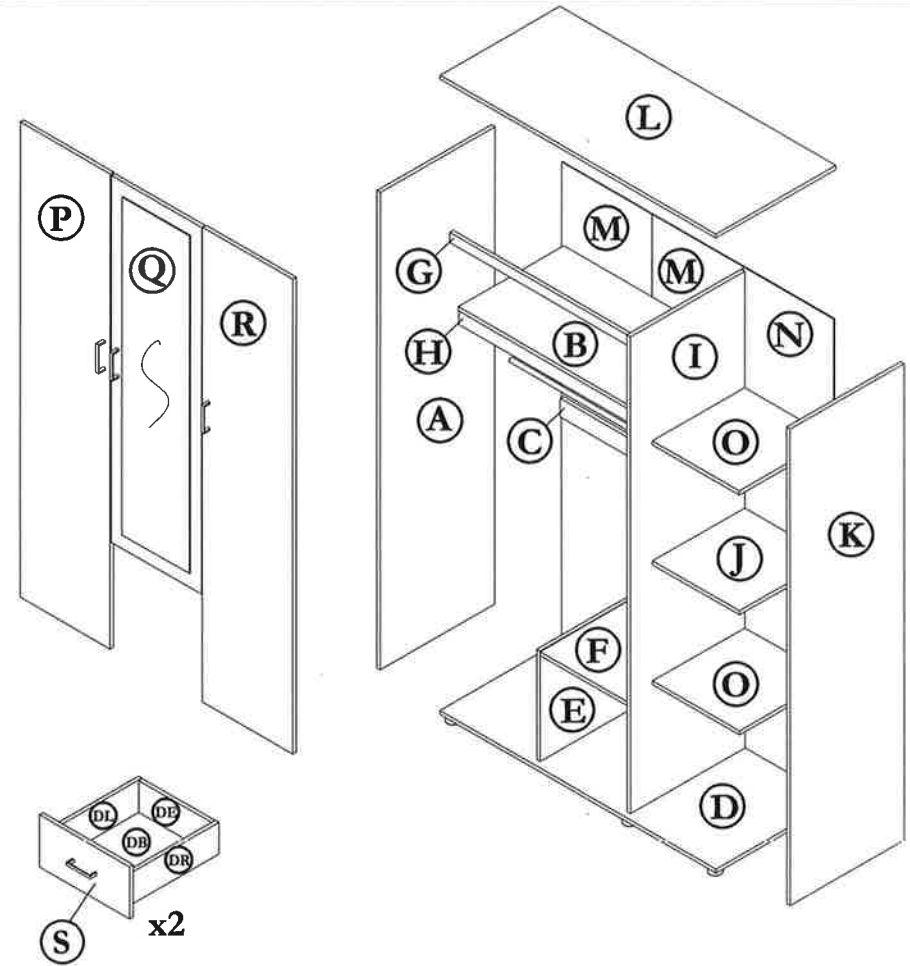
To clean use soft, dry cloth. Do not use detergent or chemicals
 Avoid contact with water and direct sunlight.
 To be assembled on a soft, dry, clean and smooth surface.



COMPLETE SET

ORDERING REPAIR PARTS

In order to obtain smooth and rapid service when ordering repair parts, please give full attention to the following of PART NUMBER.



| NO | DESCRIPTION | QTY |
|----|----------------------|-----|
| A | LEFT SIDE | 01 |
| B | CENTRE SHELF | 01 |
| C | BACK SUPPORT | 01 |
| D | LOWER SHELF | 01 |
| E | CENTRE VERTICAL | 01 |
| F | CENTRE SHELF | 01 |
| G | TOP SUPPORT | 01 |
| H | CENTRE SHELF SUPPORT | 01 |

| NO | DESCRIPTION | QTY |
|----|-----------------|-----|
| I | CENTRE VERTICAL | 01 |
| J | CENTRE SHELF | 01 |
| K | RIGHT SIDE | 01 |
| L | TOP | 01 |
| M | BACK | 02 |
| N | BACK | 01 |
| O | MOVABLE SHELF | 02 |
| P | LEFT SIDE DOOR | 01 |

| NO | DESCRIPTION | QTY |
|----|---------------------|-----|
| Q | CENTRE DOOR | 01 |
| R | RIGHT SIDE DOOR | 01 |
| S | DRAWER FACE | 02 |
| DL | DRAWER SIDE (Left) | 02 |
| DR | DRAWER SIDE (Right) | 02 |
| DB | DRAWER BASE | 02 |
| DE | DRAWER END | 02 |