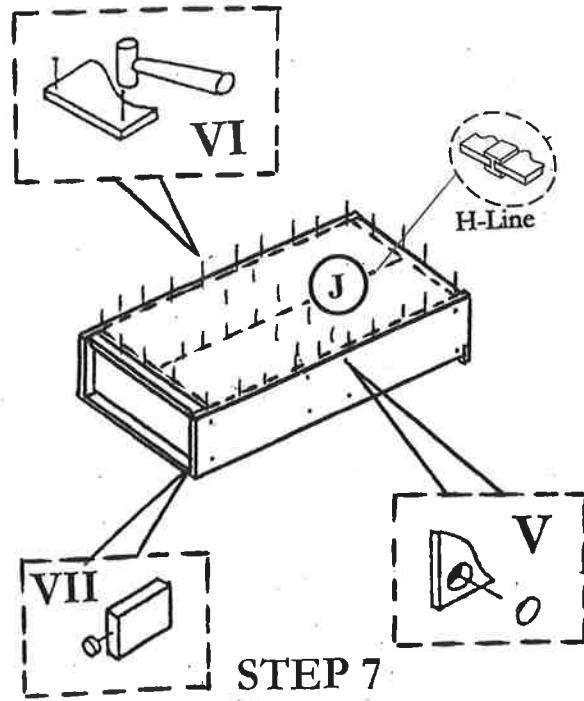
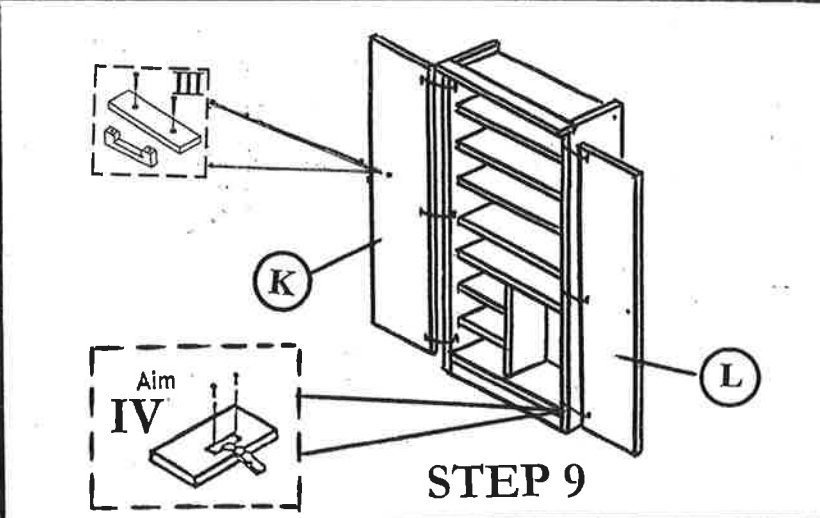
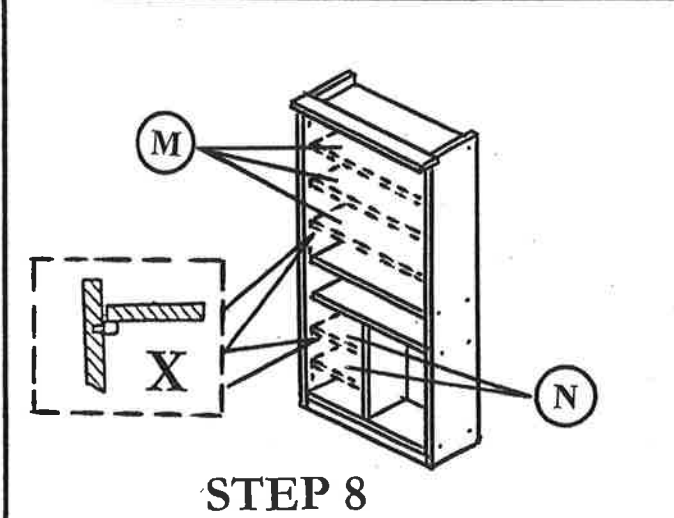
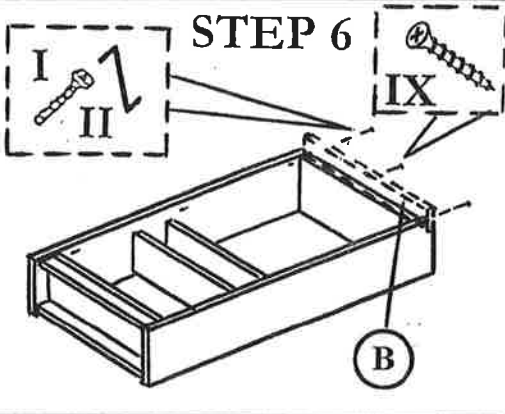
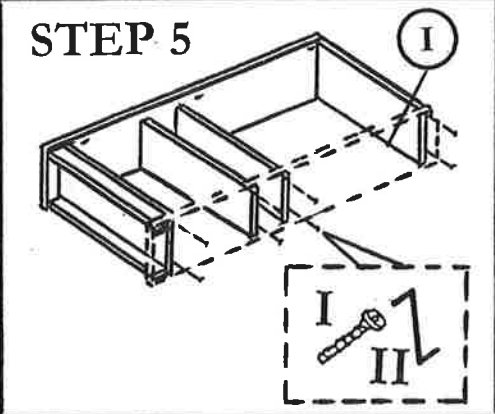
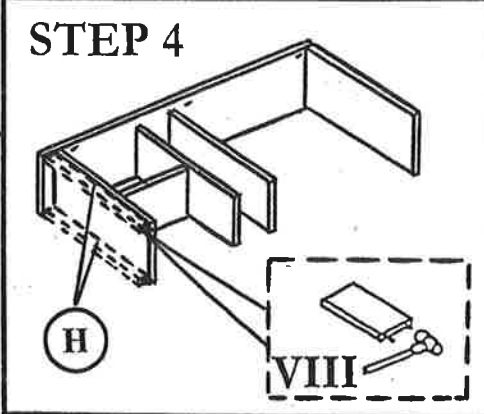
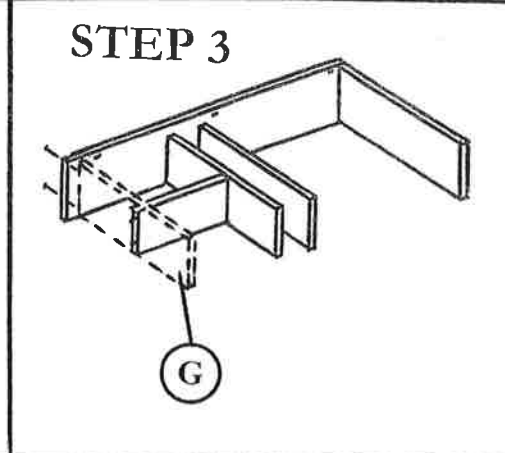
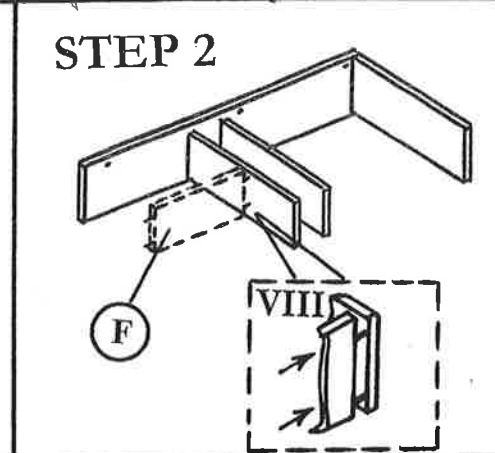
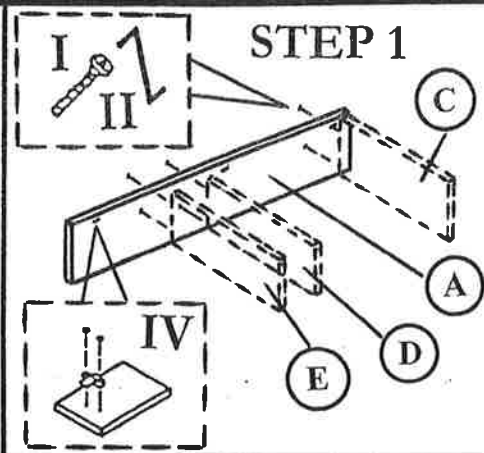


ASSEMBLY INSTRUCTION

MODEL : 27301 / SHOE RACK

Before you begin, please follow Assembly Instruction carefully. Then follow them step by step.

HARDWARE		LIST	
NO	DESCRIPTION		QTY
I	JCBCW SCREW M6 x 45		18pcs
II	M4 ALLEN KEY		1pc
III	HANDLE & SCREW M3.5 x 30		2sets
IV	AIM HINGES & SCREW M3.5 x 16		6sets
V	STICKER		16pcs
VI	NAIL		60pcs
VII	PVC NAIL WITH PIN		4pcs
VIII	M8 x 30 PLASTIC DOWEL		12pcs
IX	M3.5 x 30 CHIPBOARD SCREW		1pc
X	PVC SHELF SUPPORT		20pcs



STEP 7

STEP 8

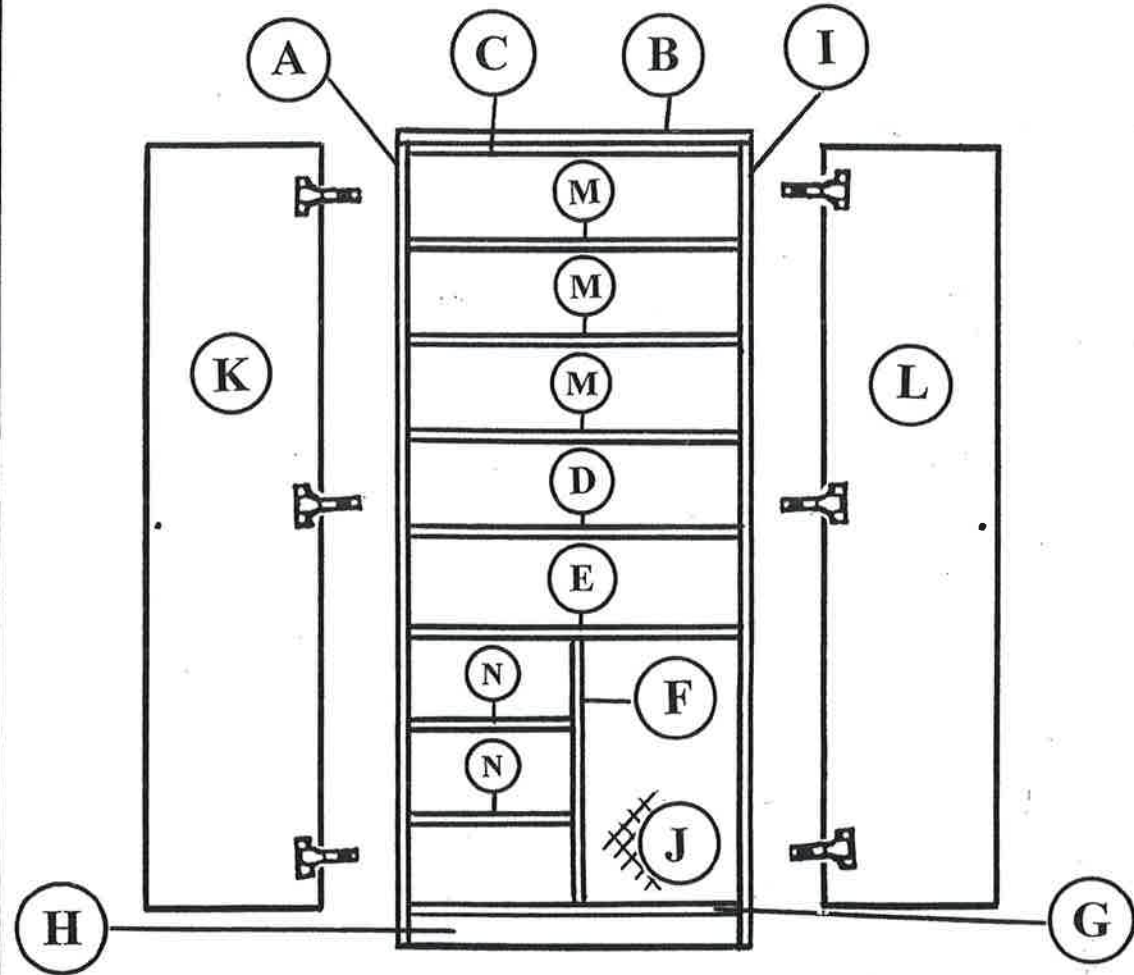
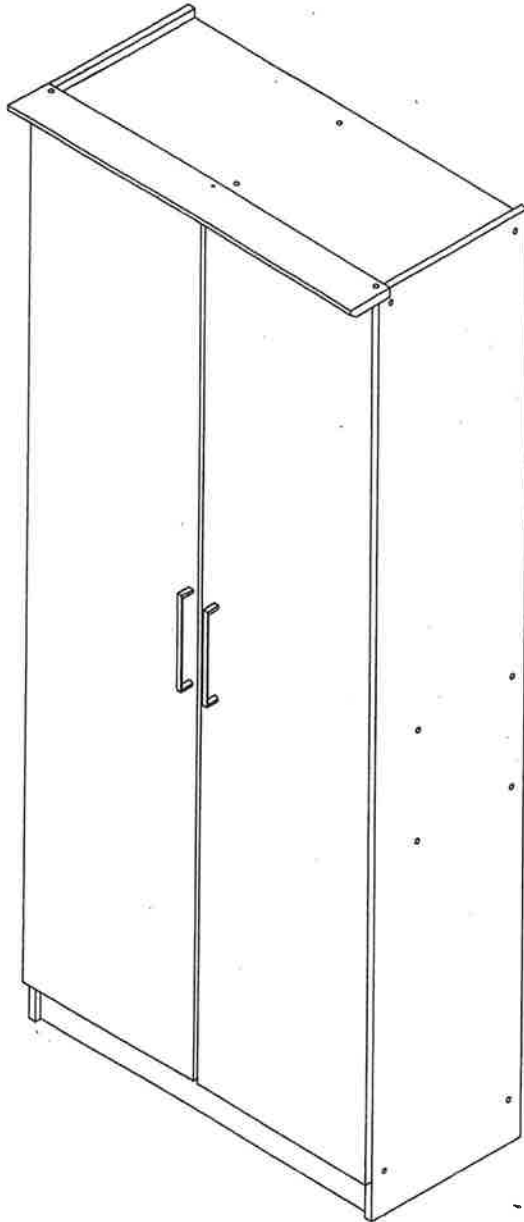
STEP 9

CAUTION :

To clean use soft, dry cloth. Do not use detergent or chemicals.
 Avoid contact with water and direct sunlight.
 To be assembled on a soft,dry,clean and smooth surface.

ORDERING REPAIR PARTS

In order to obtain smooth and rapid service when ordering repair parts,
 please give full attention to the following of PART NUMBER.



COMPLETE SET

NO	DESCRIPTION	QTY	NO	DESCRIPTION	QTY
A	LEFT SIDE	01	I	RIGHT SIDE	01
B	TOP	01	J	BACK	02
C	CENTRE SHELF	01	K	LEFT SIDE DOOR	01
D	CENTRE SHELF	01	L	RIGHT SIDE DOOR	01
E	CENTRE SHELF	01	M	MOVABLE SHELF	03
F	CENTRE VERTICAL	01	N	MOVABLE SHELF	02
G	LOWEST SHELF	01			
H	LEG	02			