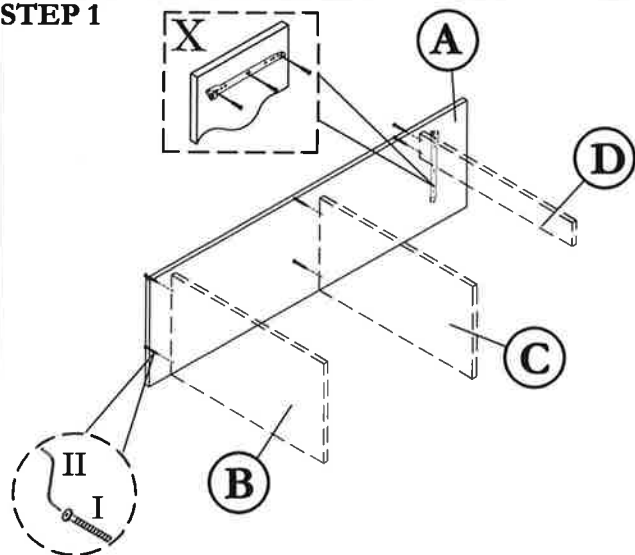


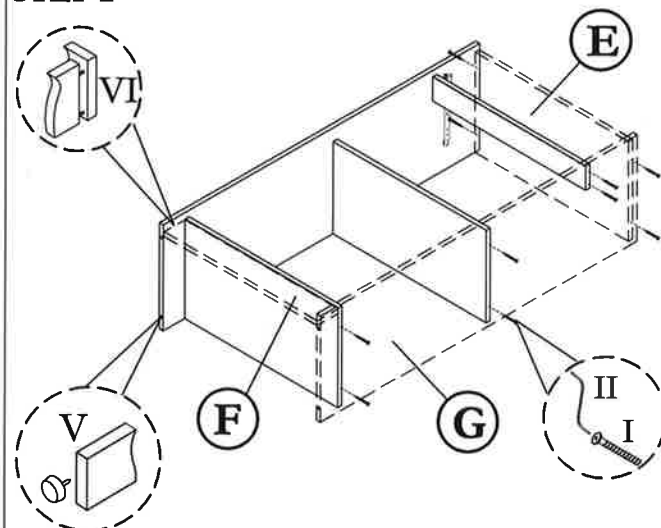
ASSEMBLY INSTRUCTION
MODEL : 5212 / SHOE RACK

Before you begin, please follow assembly instruction carefully.
 Then follow them step by step.

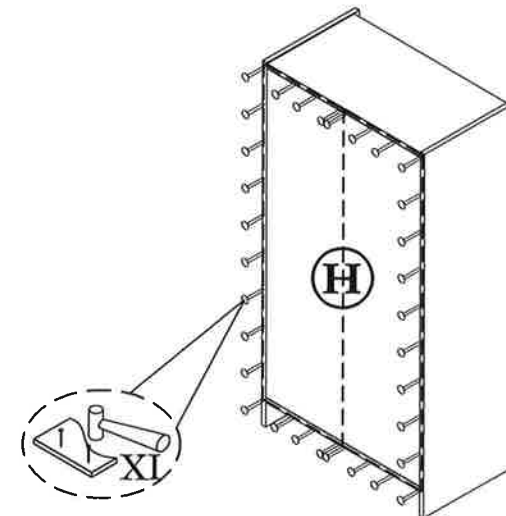
STEP 1



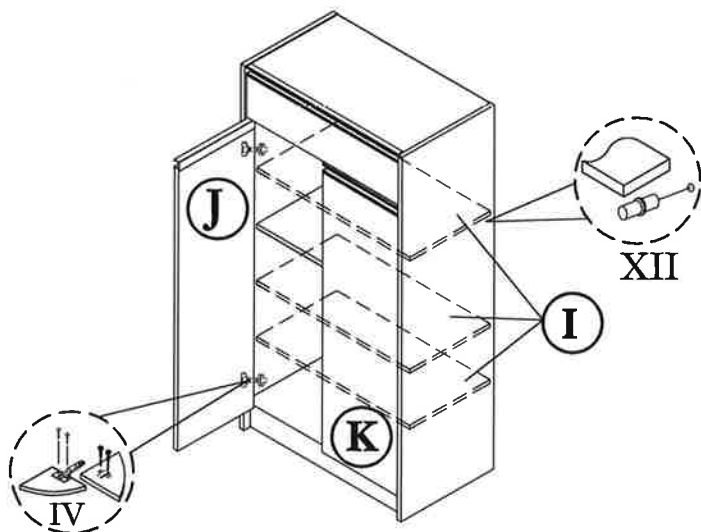
STEP 2



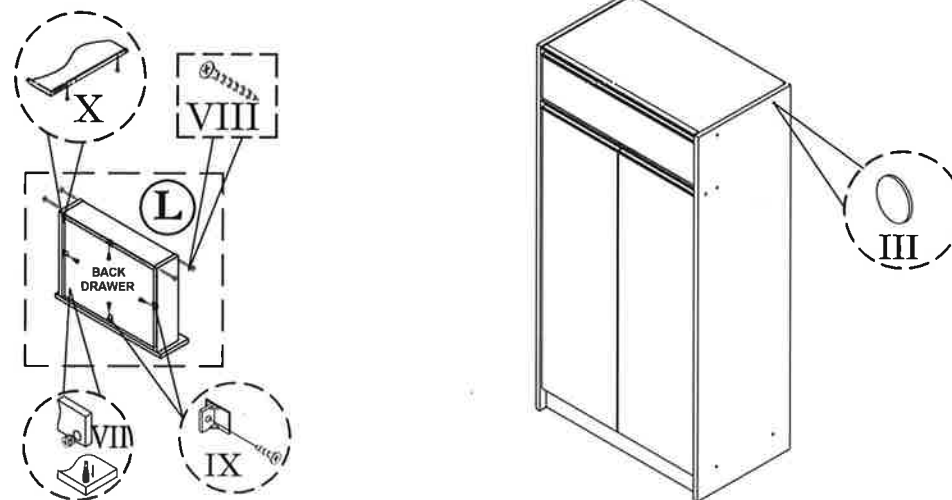
STEP 3



STEP 4



STEP 5



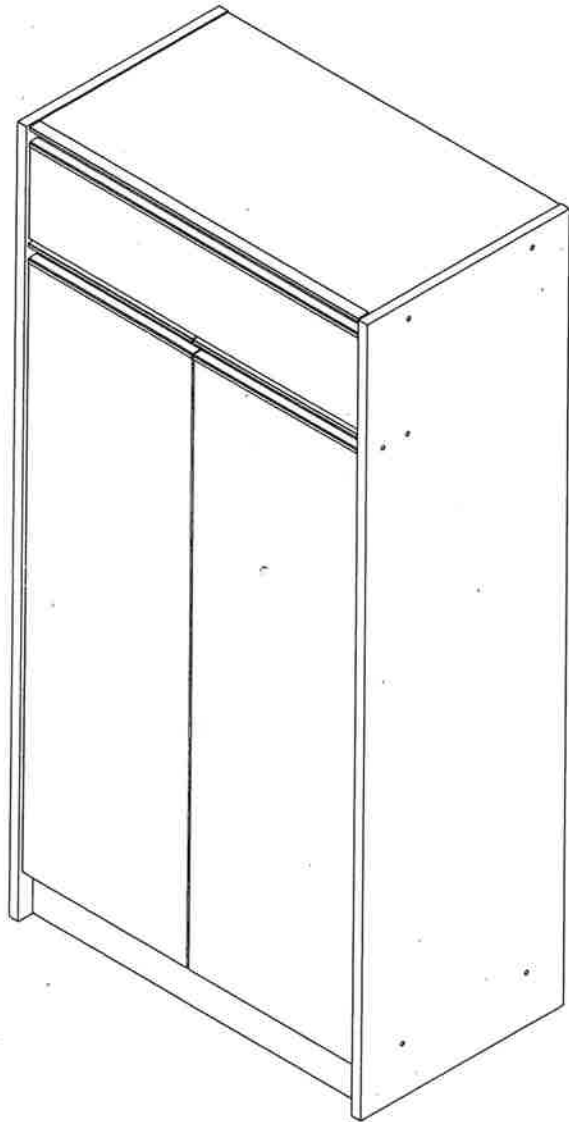
HARDWARE LIST			
NO	DESCRIPTION		QTY
I	JCBCW SCREW M6.3 x 50		16pcs
II	M4 ALLEN KEY		1pc
III	STICKER		16pcs
IV	HINGE (C) & SCREW M3.5 x 16		4sets

V	PVC NAIL WITH PIN		4pcs
VI	M8 x 30 WOOD DOWEL		4pcs
VII	Q-FIT		4sets
VIII	M8 x 32 CHIPBOARD SCREW		4pcs
IX	DRAWER SUPPORT & SCREW M3.5 x 12		4sets
X	12" DRAWER SLIDER & SCREW M3.5 x 16		1sets

XI	NAIL		50pcs
XII	SHELF SUPPORT		12pcs

CAUTION:

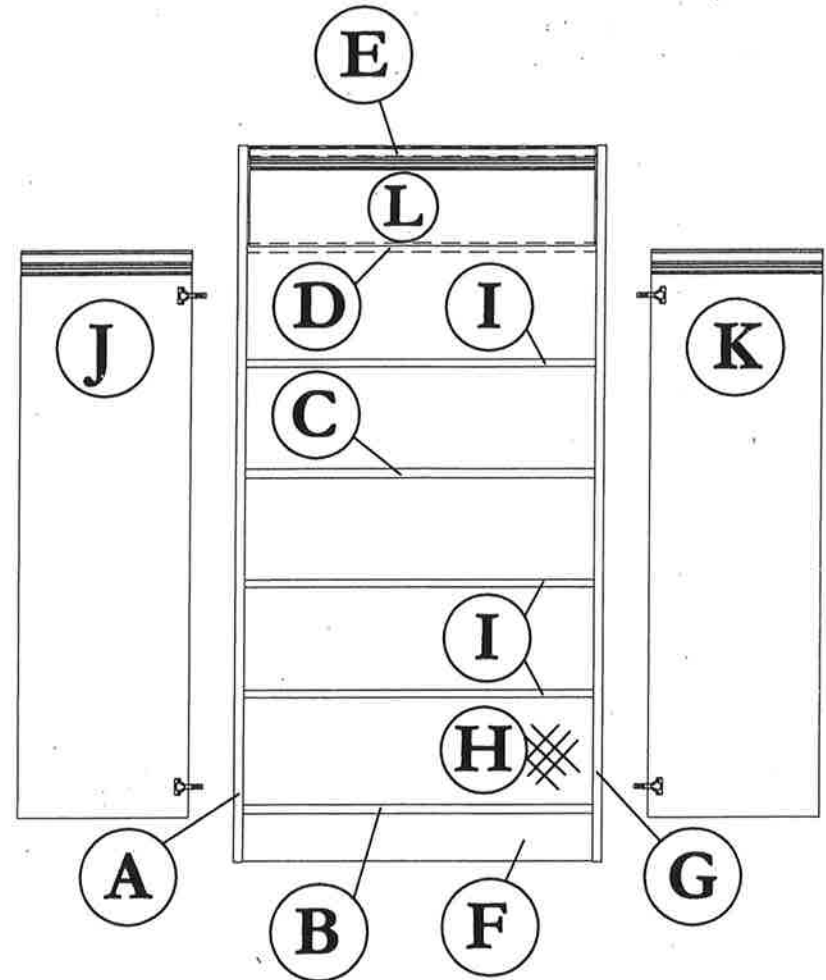
To clean use soft, dry cloth. Do not use detergent or chemicals
Avoid contact with water and direct sunlight.
To be assembled on a soft, dry, clean and smooth surface.



COMPLETE SET

ORDERING REPAIR PARTS

In order to obtain smooth and rapid service when ordering repair parts,
please give full attention to the following of PART NUMBER.



NO	DESCRIPTION	QTY
A	LEFT SIDE	01
B	LOWER SHELF	01
C	CENTRE SHELF	01
D	HORIZONTAL SHELF	01
E	UPPER SHELF	01
F	LEG	01

NO	DESCRIPTION	QTY
G	RIGHT SIDE	01
H	BACK	02
I	MOVABLE SHELF	03
J	LEFT SIDE DOOR	01
K	RIGHT SIDE DOOR	01
L	DRAWER FACE	01