
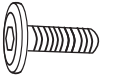




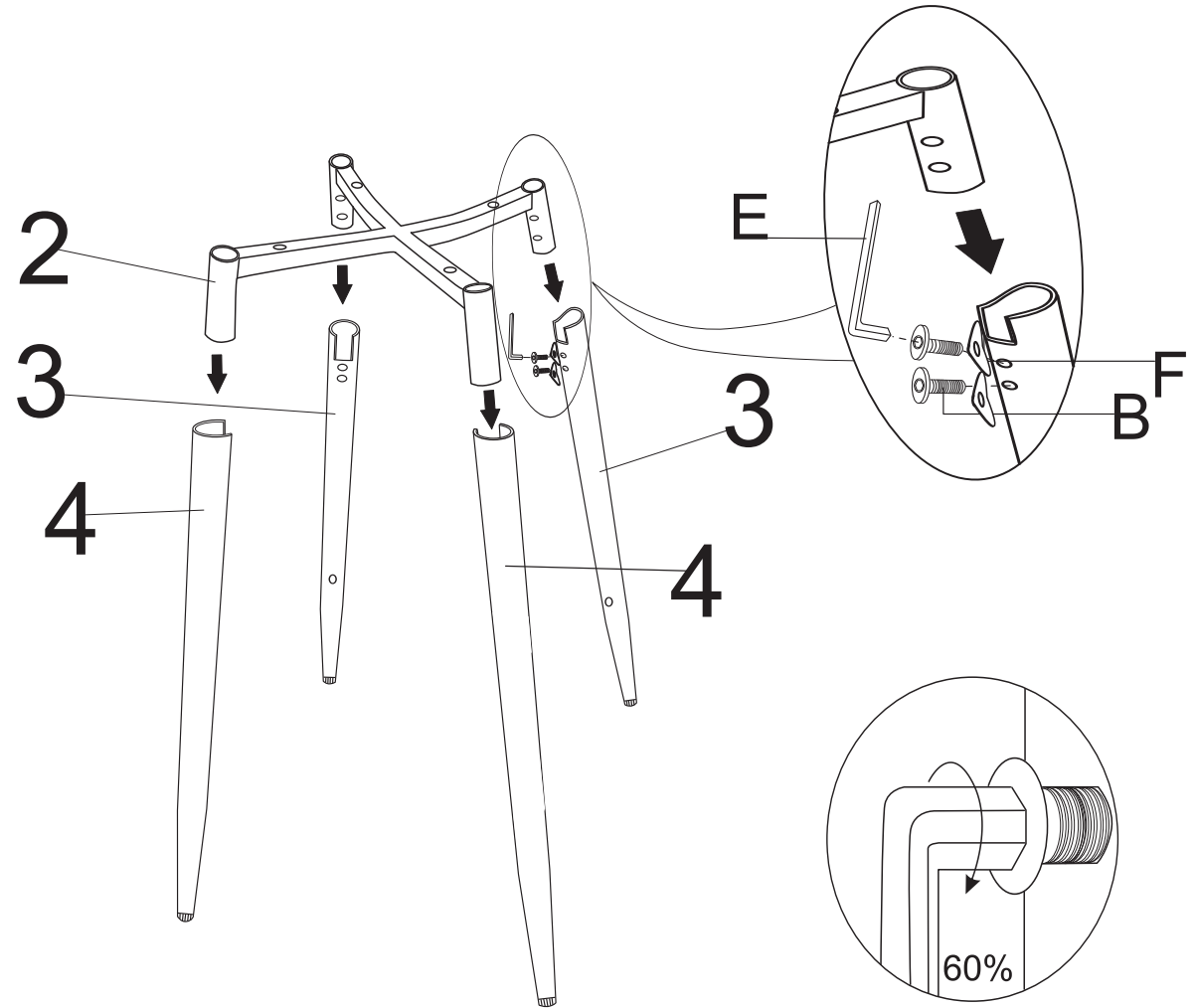
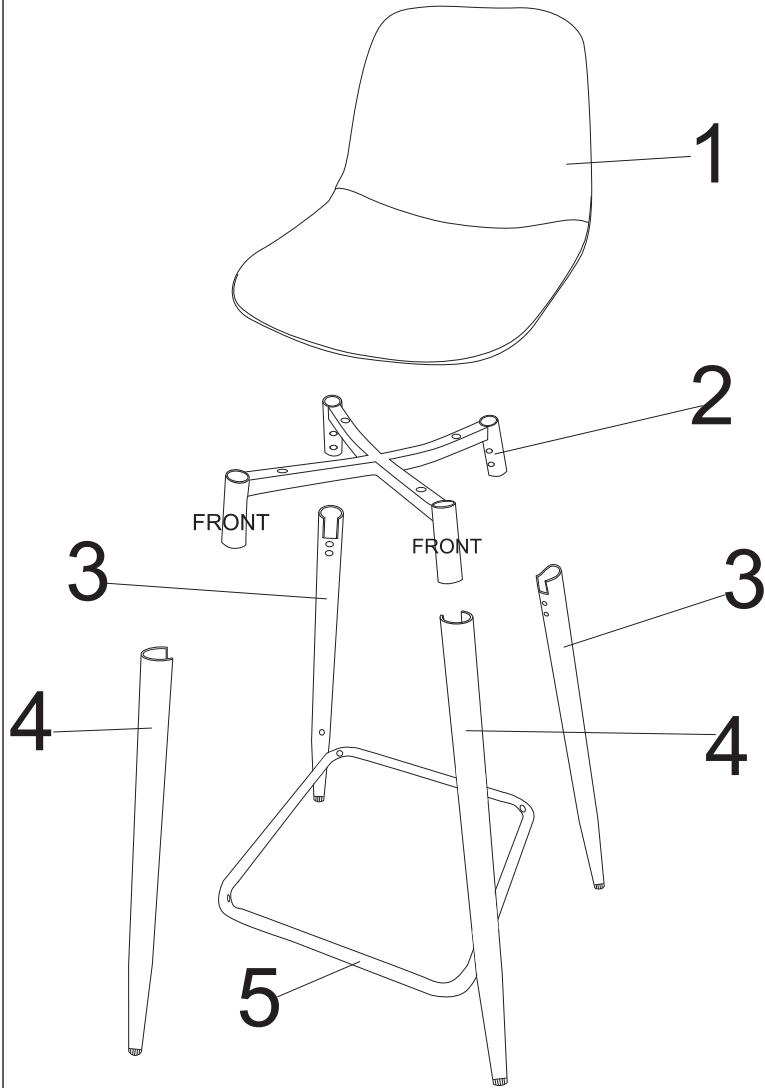


ASSEMBLE INSTRUCTION FOR 5545

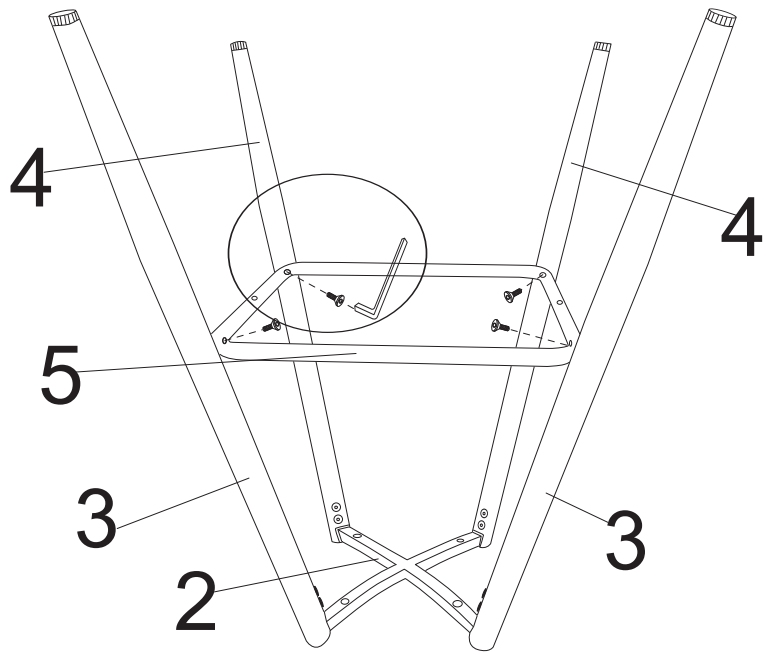
					
A M6*25mm X4	B M6*14mm X8	C M6*30mm X4	D X4	E X1	F X8

STEP1:

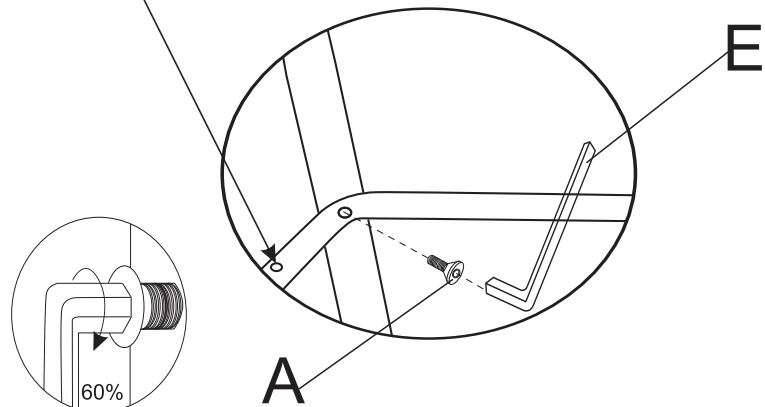


ASSEMBLE INSTRUCTION FOR 5545

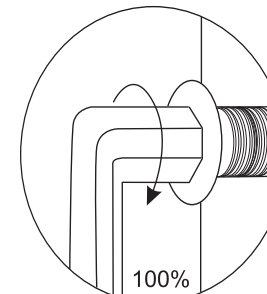
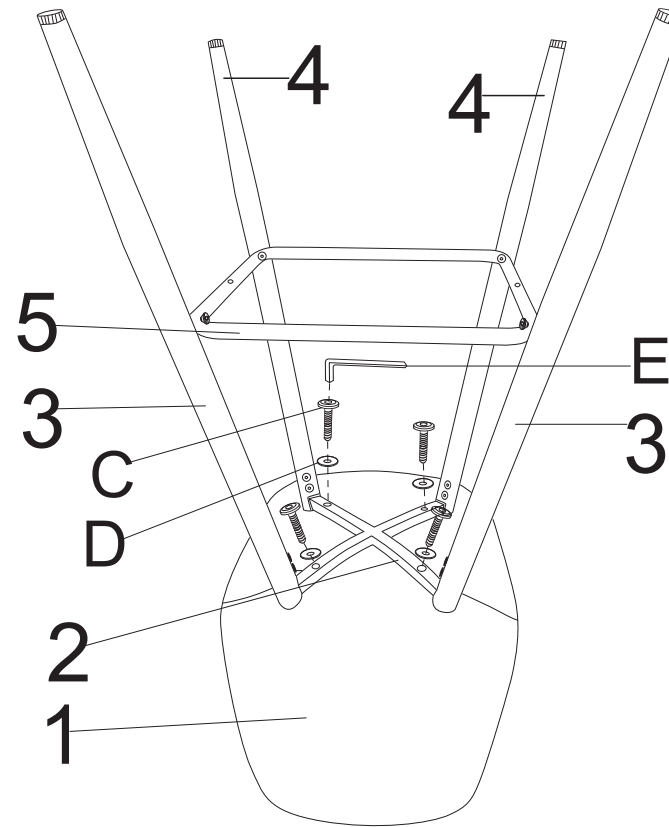
STEP2:



Attention
Between leg 3 and leg 4



STEP3:



STEP4:

