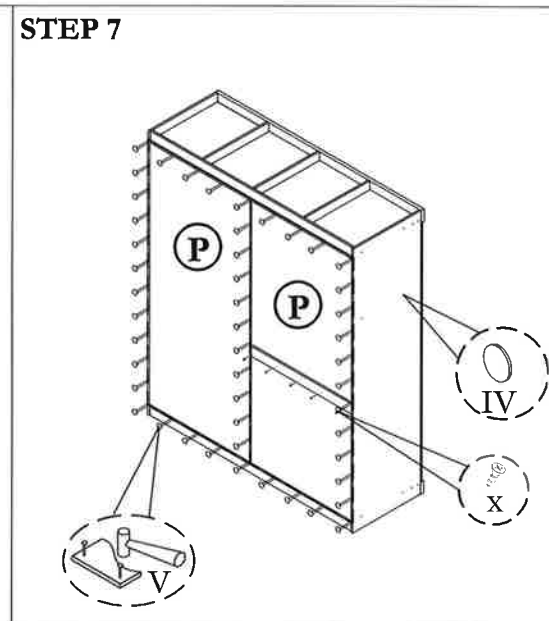
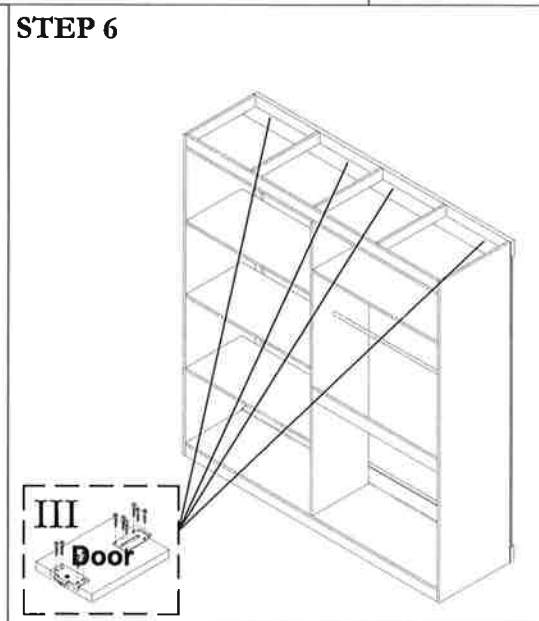
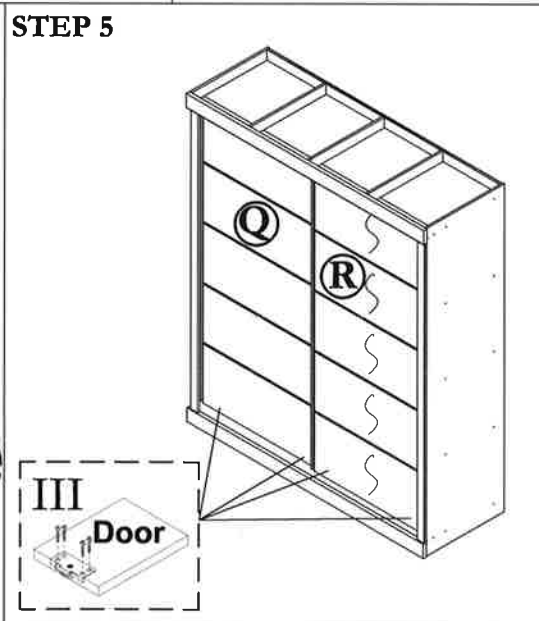
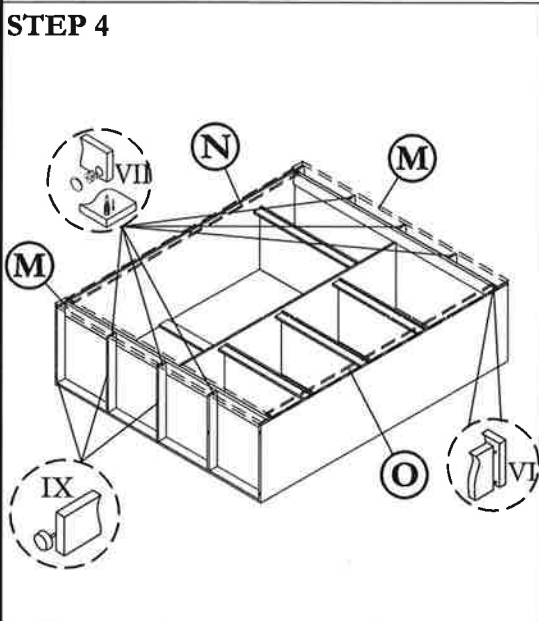
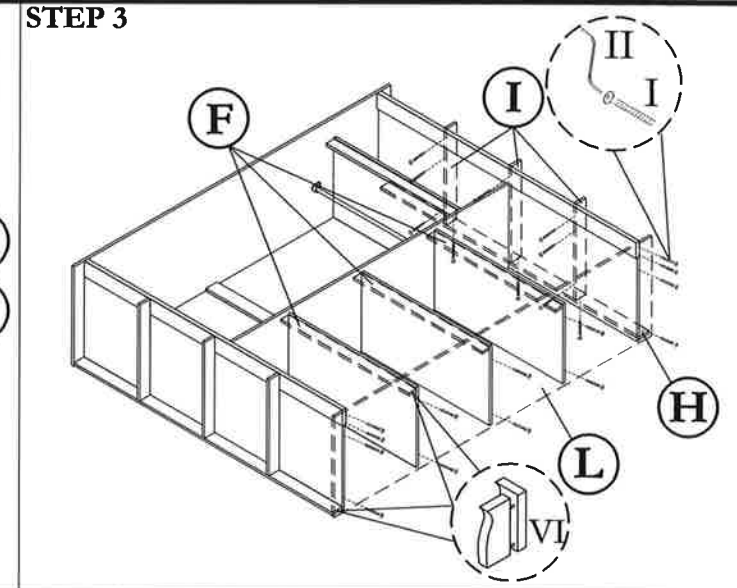
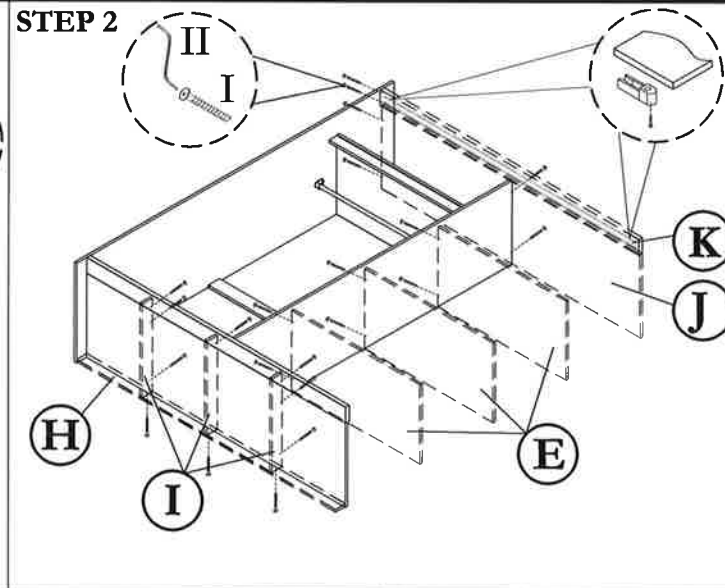
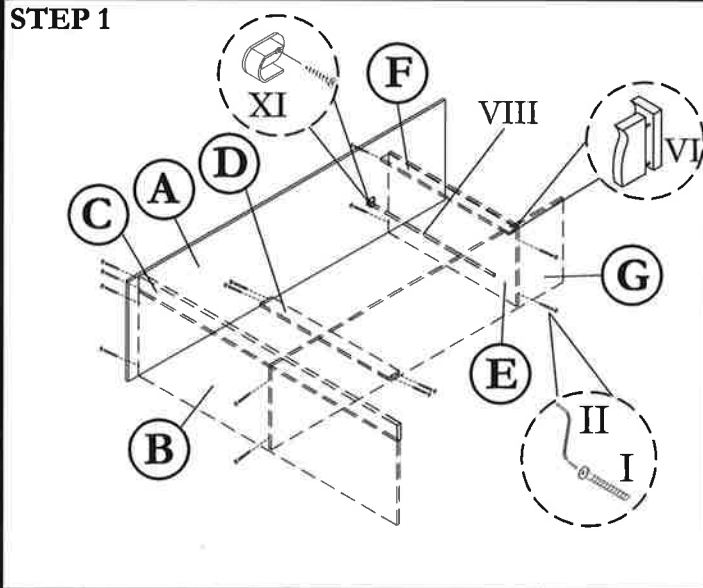


ASSEMBLY INSTRUCTION
MODEL : 6765 / WARDROBE

Before you begin, please follow assembly instruction carefully.
 Then follow them step by step.



HARDWARE LIST		
NO	DESCRIPTION	QTY
I	JCBCW SCREW M6.3 x 50	60pcs
II	M4 ALLEN KEY	1pc
III	STEEL ROLLER & SCREW M 3.5 x 14	4sets

IV	STICKER	26pcs
V	NAIL	100pcs
VI	M8 x 30 PLASTIC DOWEL	24pcs
VII	Q-FIT	18sets
VIII	PIPE SIZE : 34 $\frac{4}{8}$	1pc

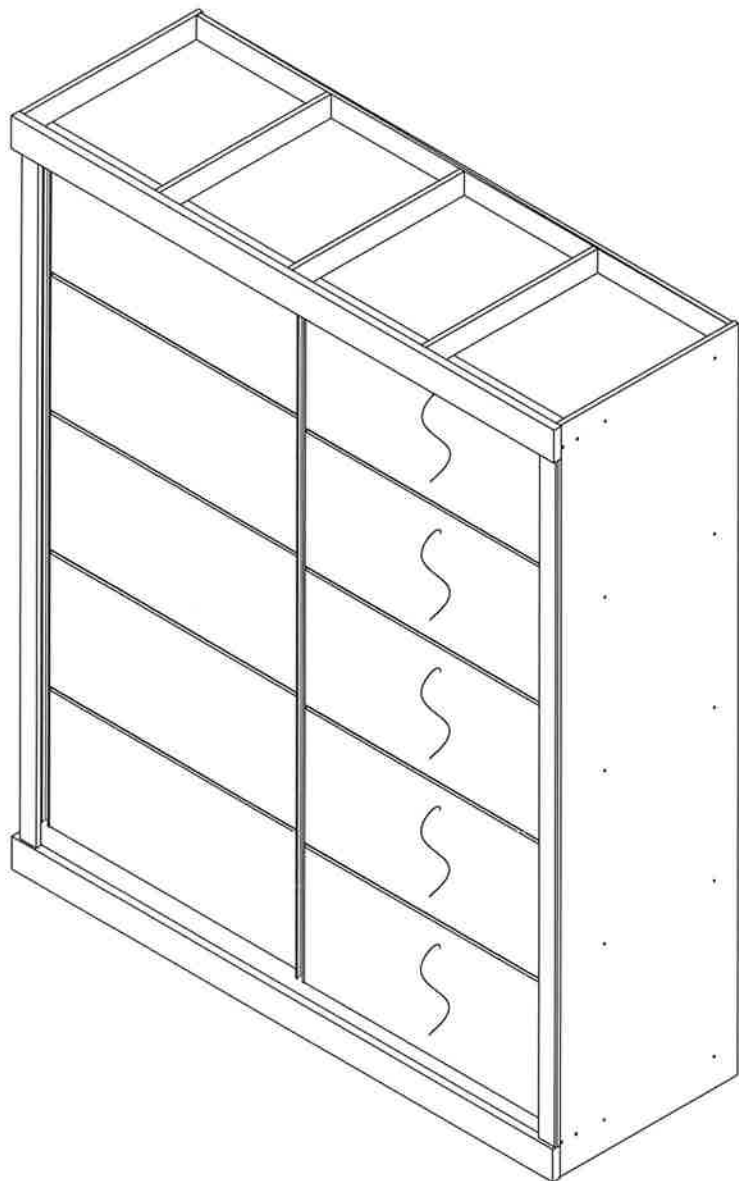
IX	PVC NAIL WITH PIN	10pcs
X	M3.5 x 12 CHIPBOARD SCREW	5pcs
XI	PIPE SUPPORT & SCREW M3.5 x 16	2sets

CAUTION:

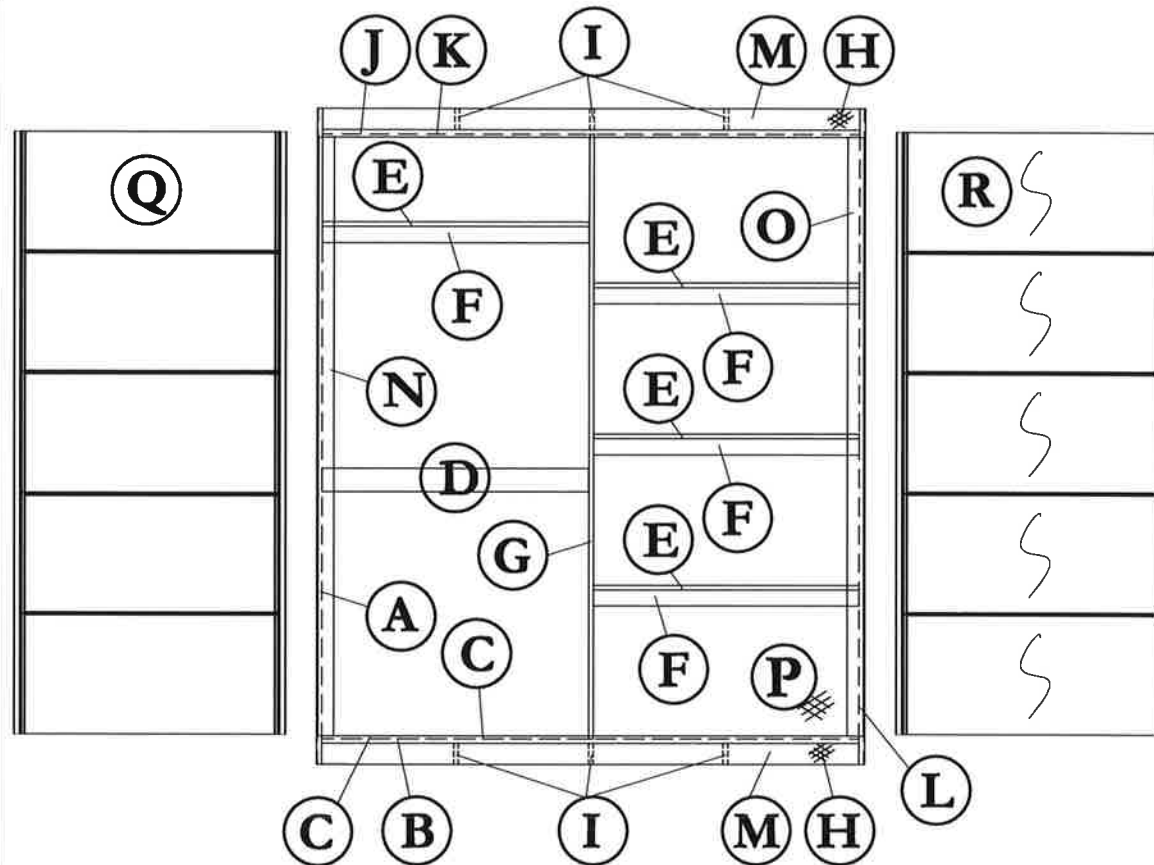
To clean use soft, dry cloth. Do not use detergent or chemicals
 Avoid contact with water and direct sunlight.
 To be assembled on a soft, dry, clean and smooth surface.

ORDERING REPAIR PARTS

In order to obtain smooth and rapid service when ordering repair parts,
 please give full attention to the following of PART NUMBER.



COMPLETE SET



NO	DESCRIPTION	QTY
A	LEFT SIDE	01
B	LOWER SHELF	01
C	DOOR SUPPORT (Bottom)	01
D	BACK SUPPORT	01
E	CENTRE SHELF	04
F	SHELF SUPPORT	04

NO	DESCRIPTION	QTY
G	CENTRE VERTICAL	01
H	LEG	02
I	LEG (Centre)	06
J	UPPER SHELF	01
K	DOOR SUPPORT	02
L	RIGHT SIDE	01

NO	DESCRIPTION	QTY
M	UPPER/LOWER DECORATIVE BOARD	02
N	LEFT SIDE WRAPPING	01
O	RIGHT SIDE WRAPPING	01
P	BACK	02
Q	LEFT/RIGHT SIDE DOOR	01
R	LEFT/RIGHT SIDE DOOR	01