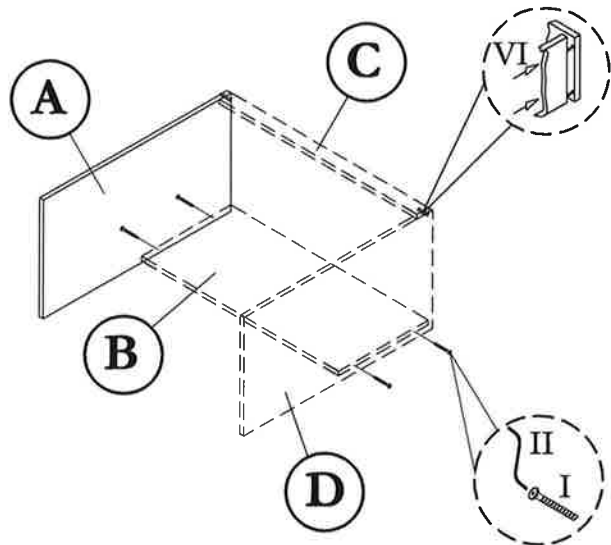


ASSEMBLY INSTRUCTION

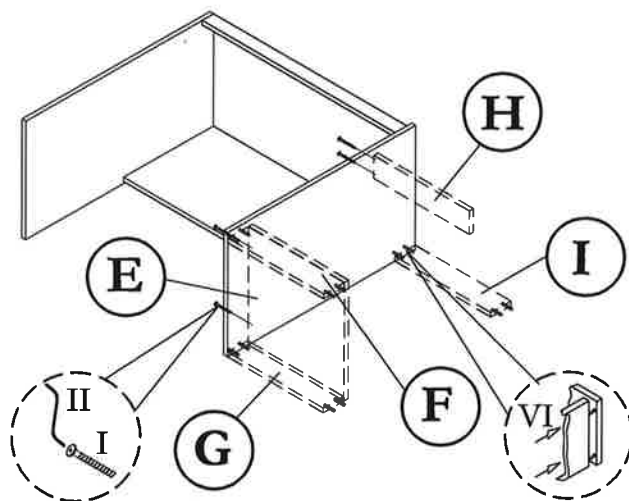
MODEL : 1285 MILOU / OFFICE TABLE

Before you begin, please follow assembly instruction carefully.
Then follow them step by step.

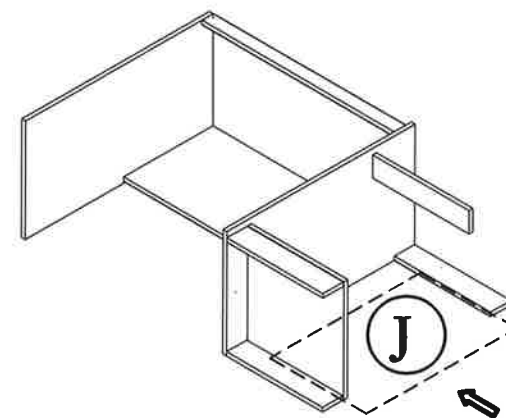
STEP 1



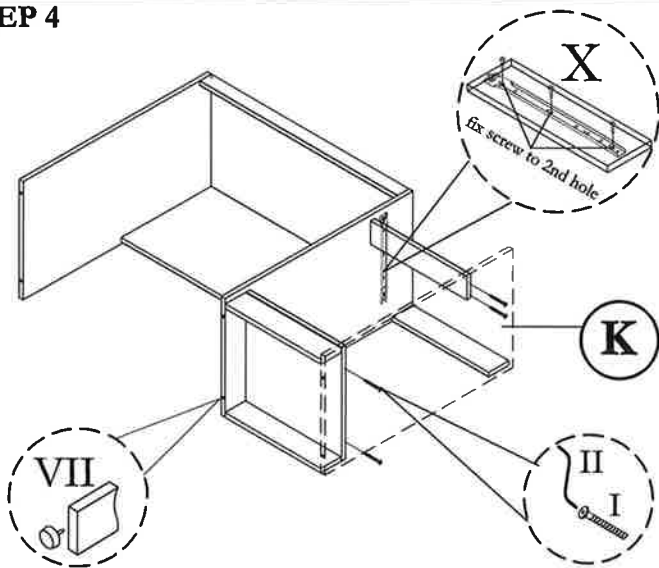
STEP 2



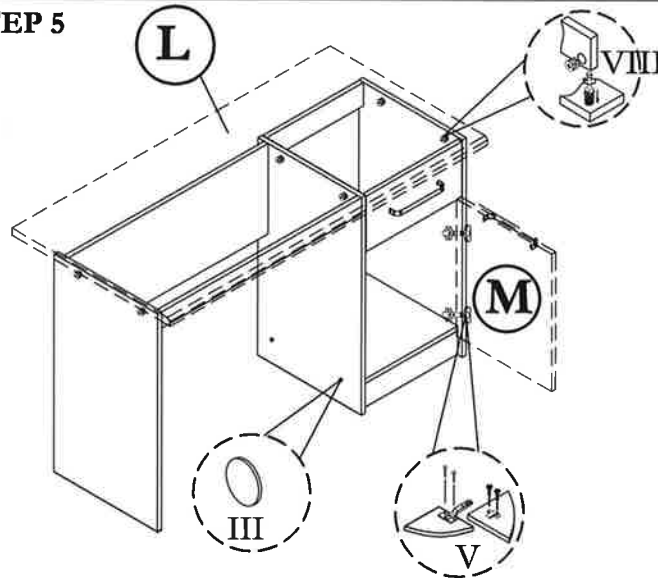
STEP 3



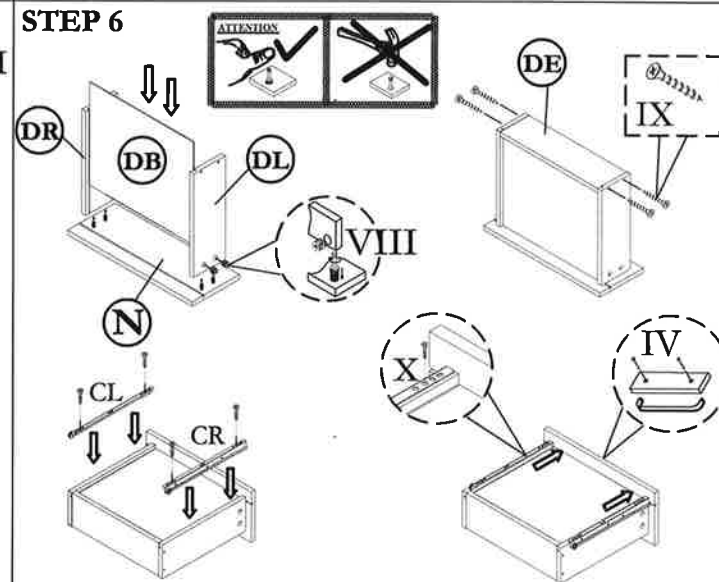
STEP 4



STEP 5



STEP 6



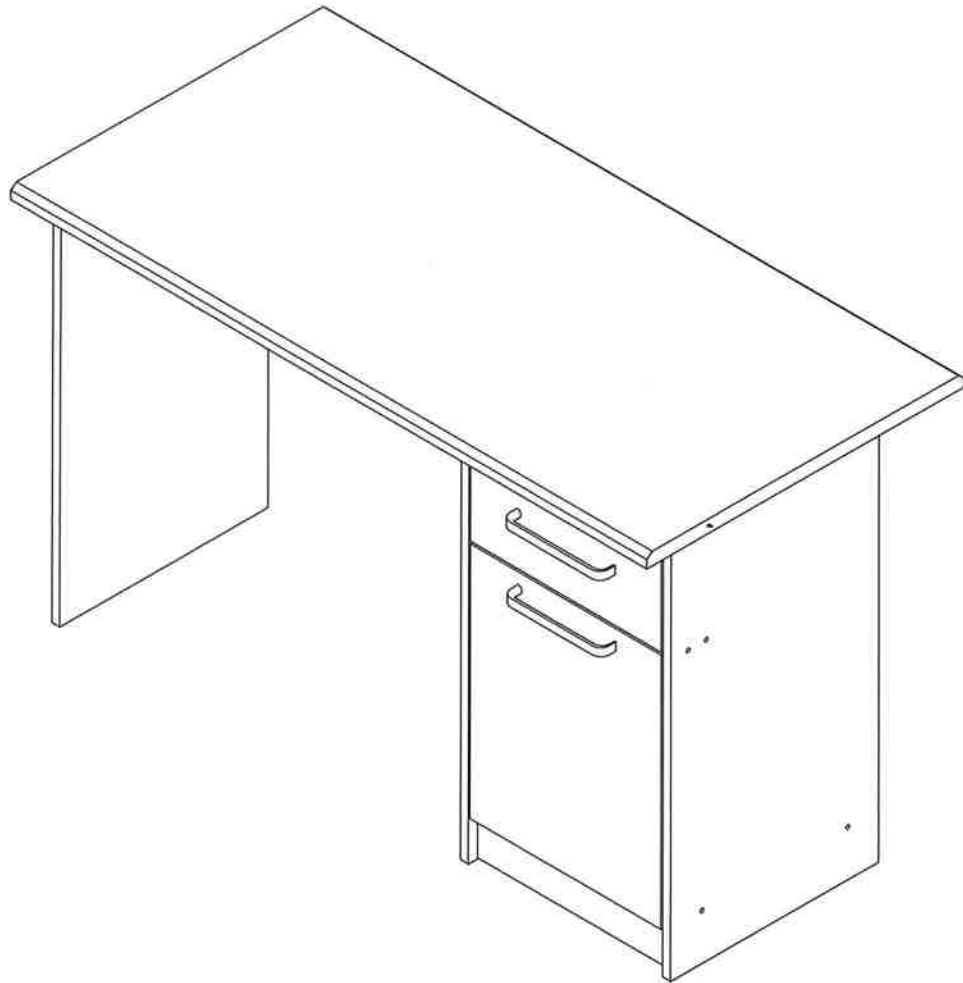
HARDWARE LIST			
NO	DESCRIPTION		QTY
I	JCBCW SCREW M6.3 x 50		12pcs
II	M4 ALLEN KEY		1pc
III	STICKER		10pcs

IV	HANDLE & SCREW M3.5 x 30		2sets
V	HINGE (C) & SCREW M3.5 x 16		2sets
VI	M8 x 30 WOOD DOWEL		16pcs
VII	PVC NAIL WITH PIN		6pcs
VIII	Q-FIT		10sets

IX	M8 x 32 CHIPBOARD SCREW		4pcs
X	12" DRAWER SLIDER & SCREW M3.5 x 16		1sets

CAUTION:

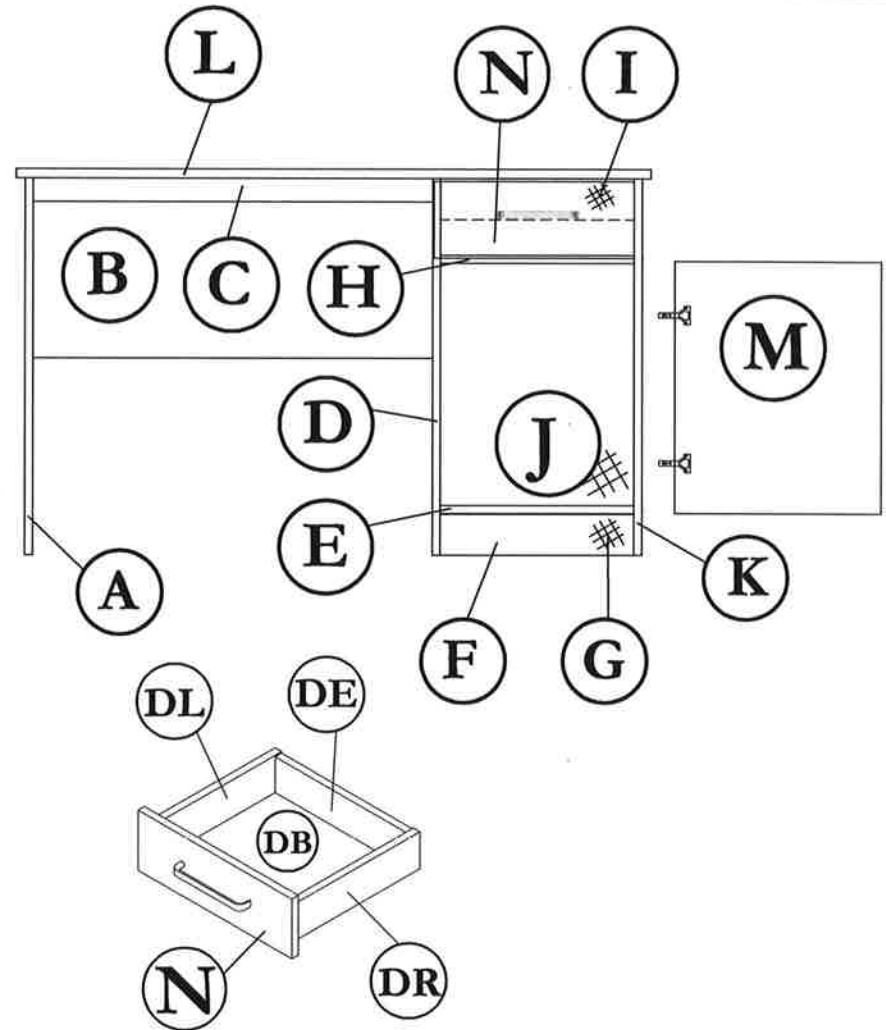
To clean use soft, dry cloth. Do not use detergent or chemicals
Avoid contact with water and direct sunlight.
To be assembled on a soft, dry, clean and smooth surface.



COMPLETE SET

ORDERING REPAIR PARTS

In order to obtain smooth and rapid service when ordering repair parts, please give full attention to the following of PART NUMBER.



NO	DESCRIPTION	QTY
A	LEFT SIDE	01
B	BACK (Left)	01
C	TOP SUPPORT	01
D	CENTRE VERTICAL	01
E	LOWER SHELF	01
F	LEG (Front)	01
G	LEG (Back)	01

NO	DESCRIPTION	QTY
H	HORIZONTAL SHELF	01
I	BACK SUPPORT	01
J	BACK (Right)	01
K	RIGHT SIDE	01
L	TABLE TOP	01
M	DOOR	01
N	DRAWER FACE	01

NO	DESCRIPTION	QTY
DL	DRAWER SIDE (Left)	03
DR	DRAWER SIDE (Right)	03
DB	DRAWER BASE	03
DE	DRAWER END	03