

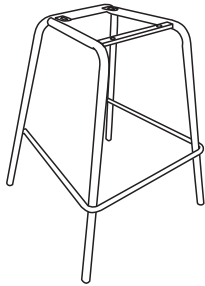
ASSEMBLY INSTRUCTION

Item No. 5600

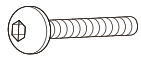
Ax1



Bx1



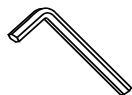
Cx2



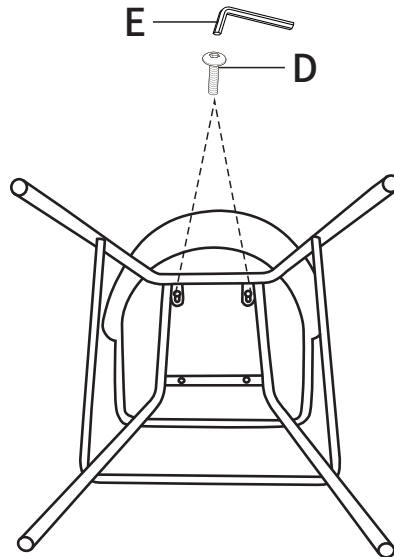
Dx2



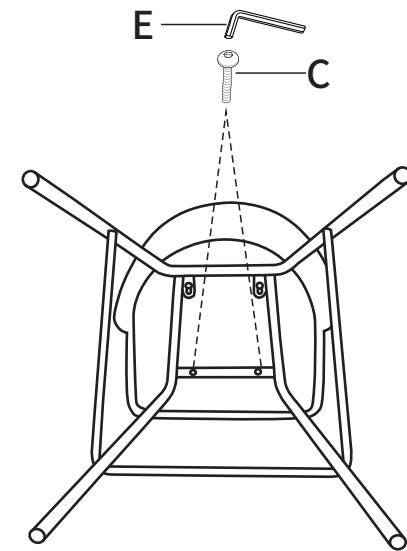
Ex1



①



②



③

