

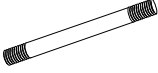
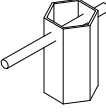
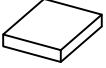


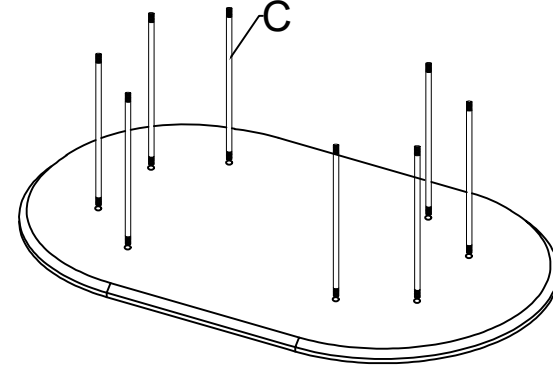
ASSEMBLY INSTRUCTION 3115

1

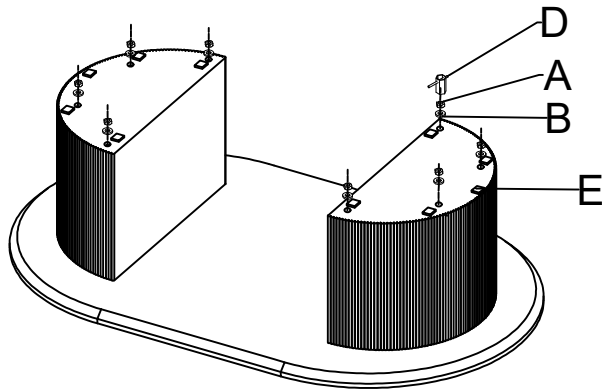
LIST OF ACCESSORIES

A		B		C		D	
M8	x8	M8*18	x8	8x365mm	x8	x1	
E							
40*40*2	x10						

2



3



4

