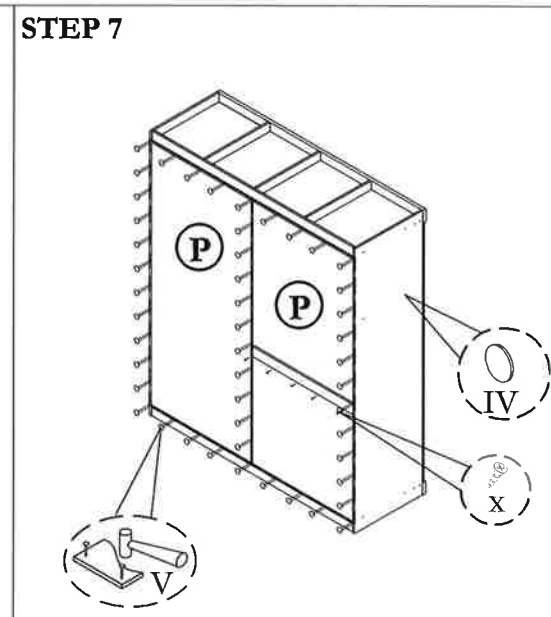
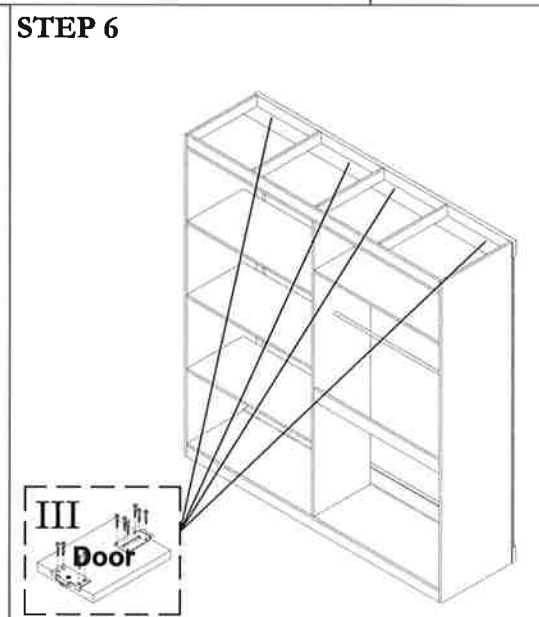
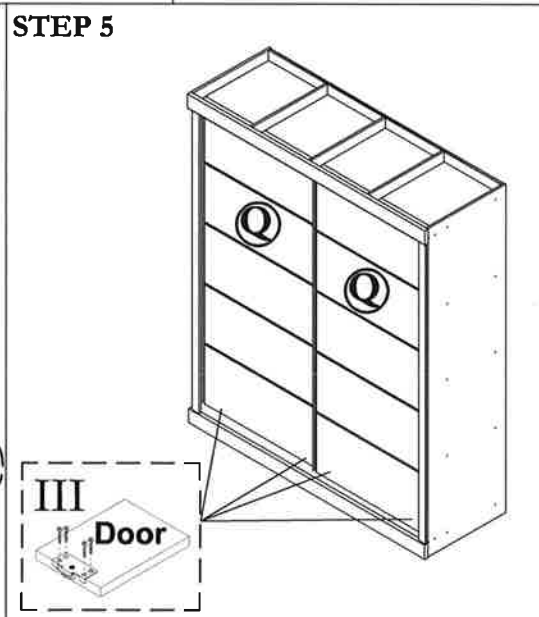
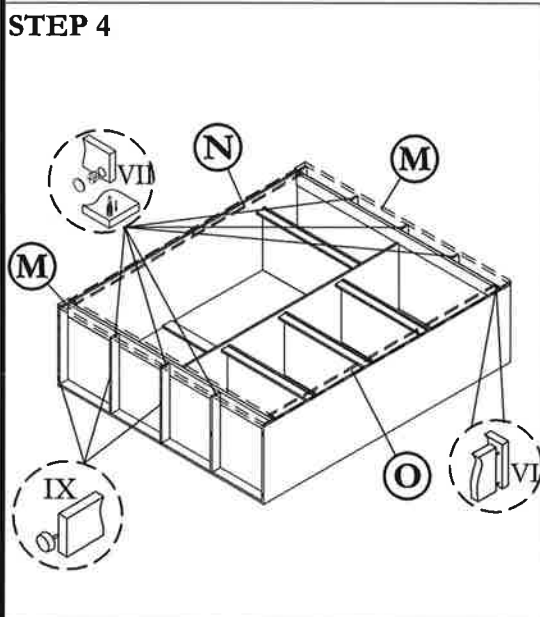
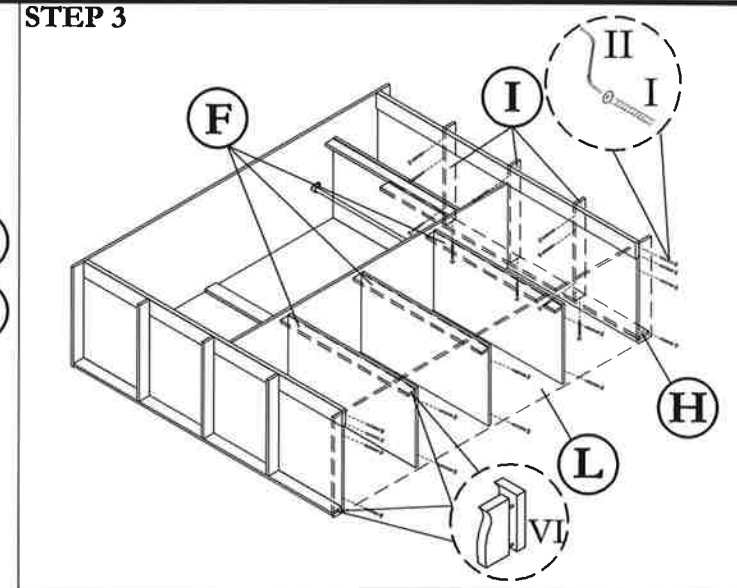
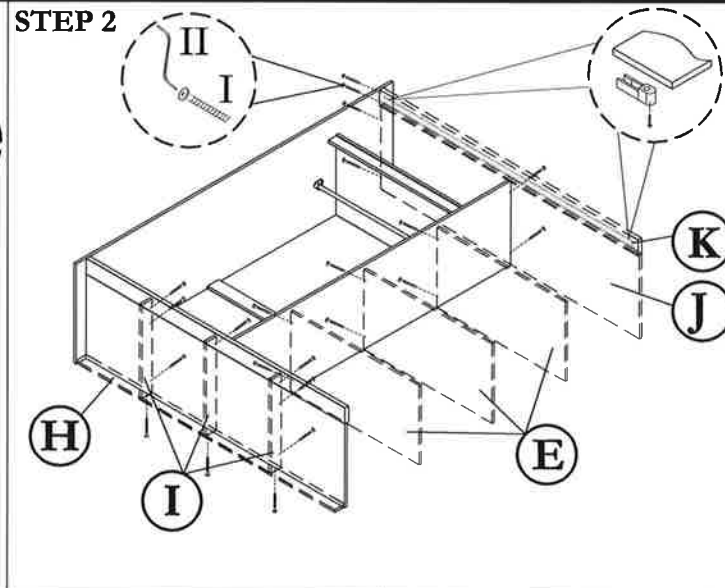
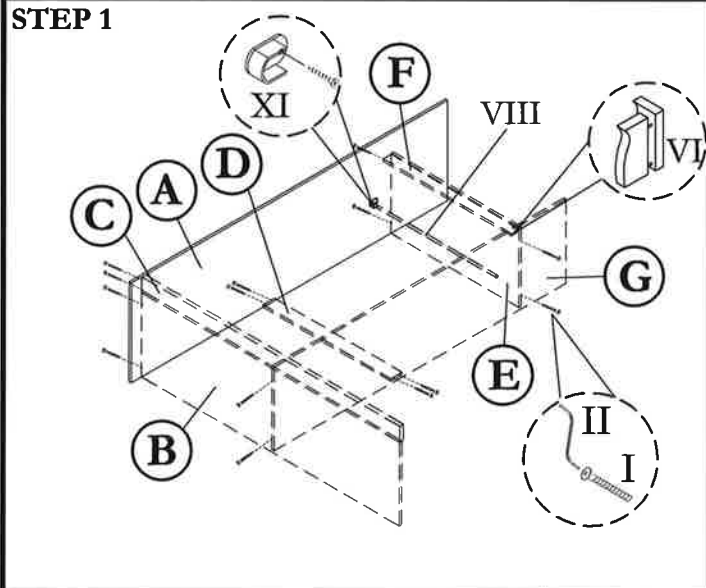


**ASSEMBLY INSTRUCTION**  
**MODEL : 6760 / WARDROBE**

Before you begin, please follow assembly instruction carefully.  
 Then follow them step by step.



| HARDWARE LIST |                                 |  |       |
|---------------|---------------------------------|--|-------|
| NO            | DESCRIPTION                     |  | QTY   |
| I             | JCBCW SCREW M6.3 x 50           |  | 60pcs |
| II            | M4 ALLEN KEY                    |  | 1pc   |
| III           | STEEL ROLLER & SCREW M 3.5 x 14 |  | 4sets |

|      |                       |  |        |
|------|-----------------------|--|--------|
| IV   | STICKER               |  | 26pcs  |
| V    | NAIL                  |  | 100pcs |
| VI   | M8 x 30 PLASTIC DOWEL |  | 24pcs  |
| VII  | Q-FIT                 |  | 18sets |
| VIII | PIPE SIZE : 34 1/8    |  | 1pc    |

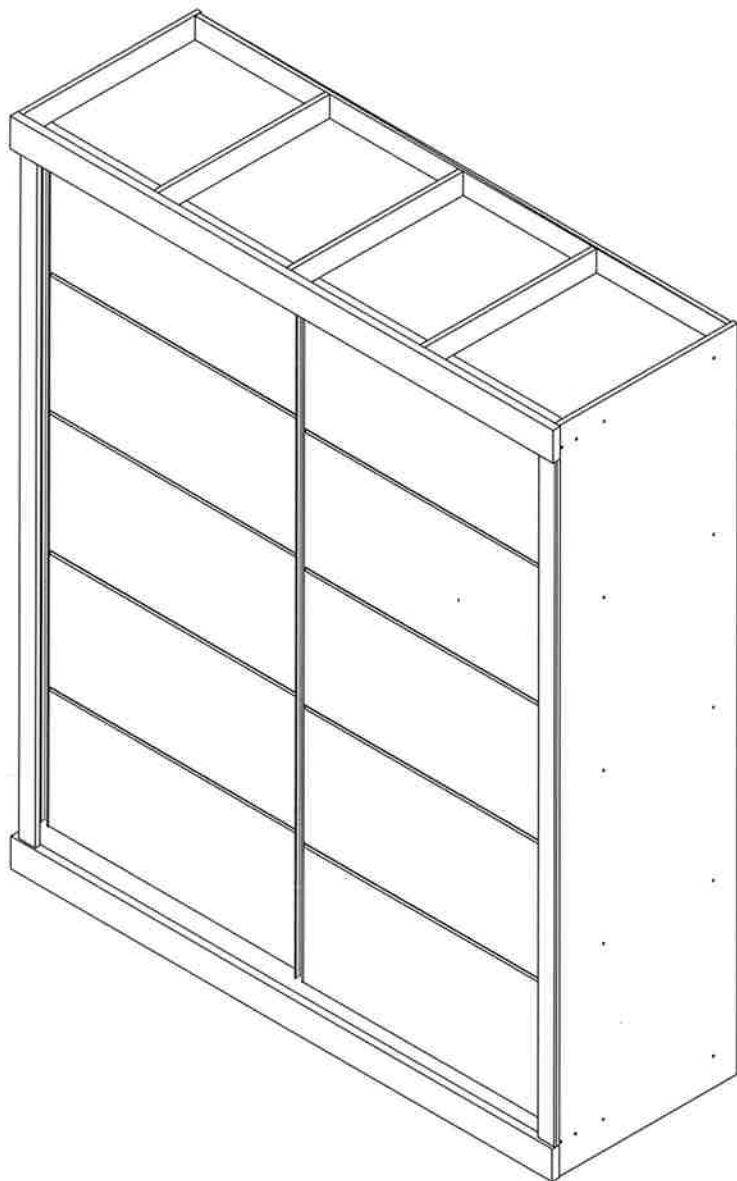
|    |                                |  |       |
|----|--------------------------------|--|-------|
| IX | PVC NAIL WITH PIN              |  | 10pcs |
| X  | M3.5 x 12 CHIPBOARD SCREW      |  | 5pcs  |
| XI | PIPE SUPPORT & SCREW M3.5 x 16 |  | 2sets |

**CAUTION:**

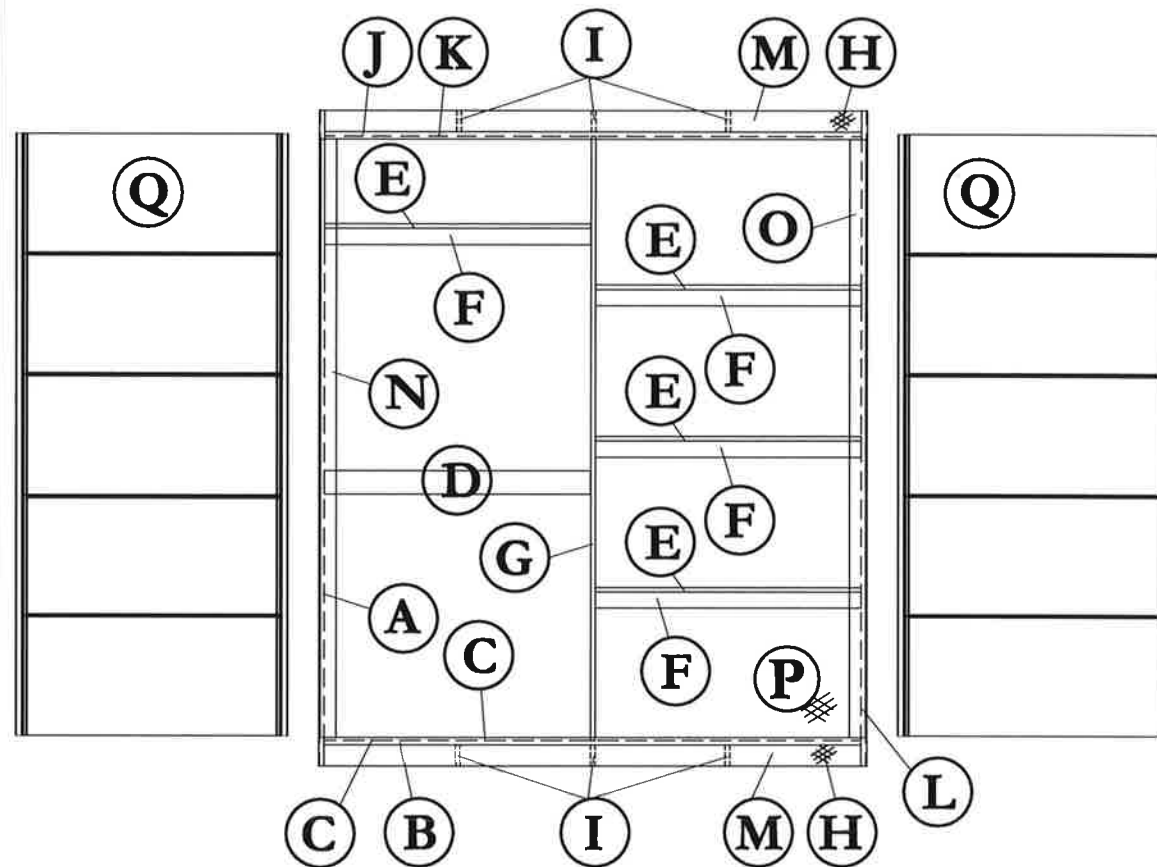
To clean use soft, dry cloth. Do not use detergent or chemicals  
 Avoid contact with water and direct sunlight.  
 To be assembled on a soft, dry, clean and smooth surface.

**ORDERING REPAIR PARTS**

In order to obtain smooth and rapid service when ordering repair parts,  
 please give full attention to the following of PART NUMBER.



# COMPLETE SET



| NO | DESCRIPTION           | QTY |
|----|-----------------------|-----|
| A  | LEFT SIDE             | 01  |
| B  | LOWER SHELF           | 01  |
| C  | DOOR SUPPORT (Bottom) | 01  |
| D  | BACK SUPPORT          | 01  |
| E  | CENTRE SHELF          | 04  |
| F  | SHELF SUPPORT         | 04  |

| NO | DESCRIPTION     | QTY |
|----|-----------------|-----|
| G  | CENTRE VERTICAL | 01  |
| H  | LEG             | 02  |
| I  | LEG (Centre)    | 06  |
| J  | UPPER SHELF     | 01  |
| K  | DOOR SUPPORT    | 02  |
| L  | RIGHT SIDE      | 01  |

| NO | DESCRIPTION                  | QTY |
|----|------------------------------|-----|
| M  | UPPER/LOWER DECORATIVE BOARD | 02  |
| N  | LEFT SIDE WRAPPING           | 01  |
| O  | RIGHT SIDE WRAPPING          | 01  |
| P  | BACK                         | 02  |
| Q  | LEFT/RIGHT SIDE DOOR         | 02  |