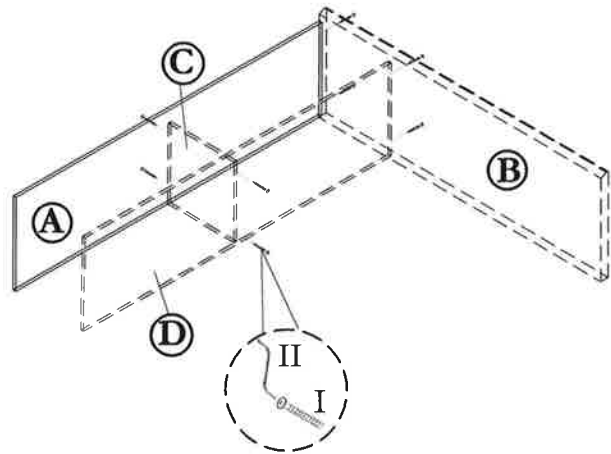


ASSEMBLY INSTRUCTION

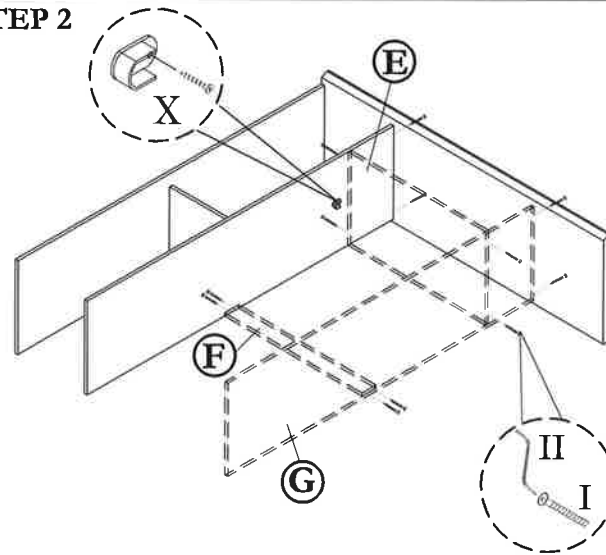
MODEL : 6720 MIKE / WARDROBE

Before you begin, please follow assembly instruction carefully.
Then follow them step by step.

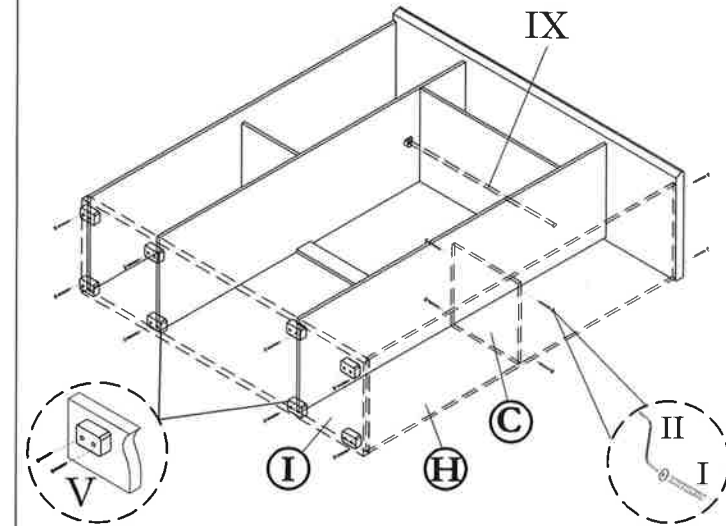
STEP 1



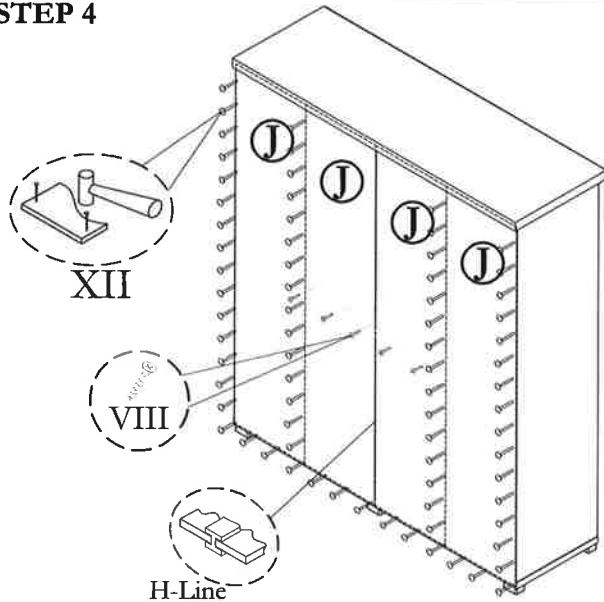
STEP 2



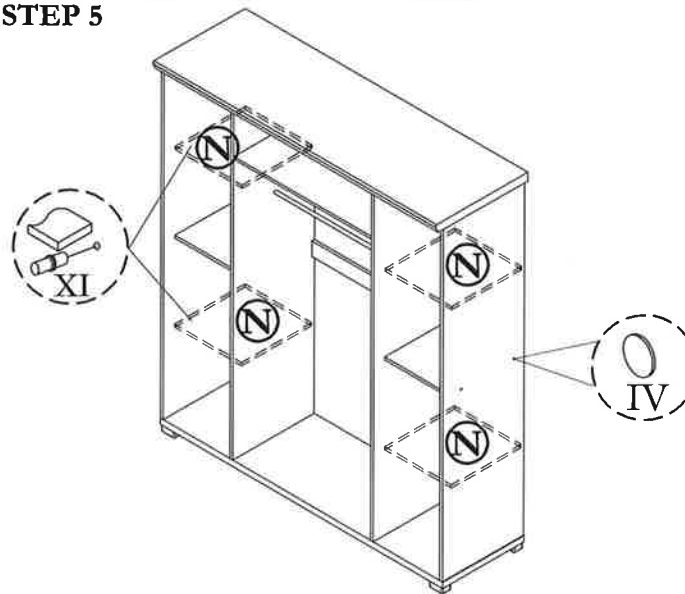
STEP 3



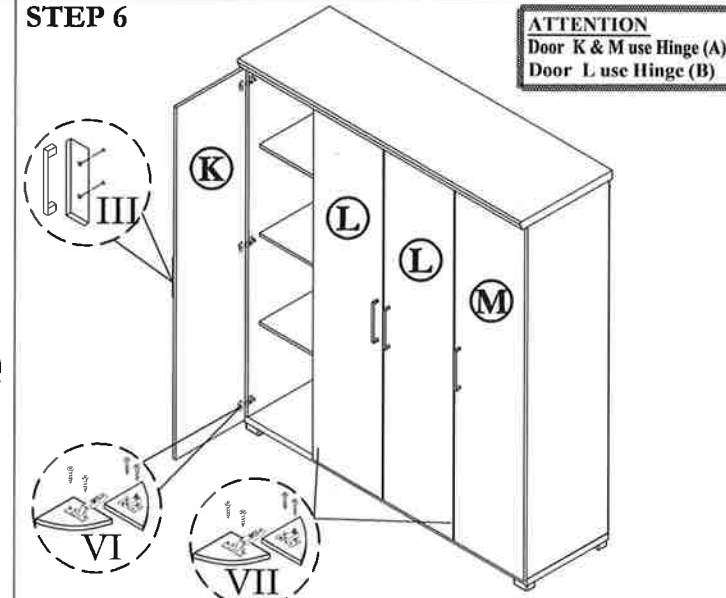
STEP 4



STEP 5



STEP 6



ATTENTION
Door K & M use Hinge (A)
Door L use Hinge (B)

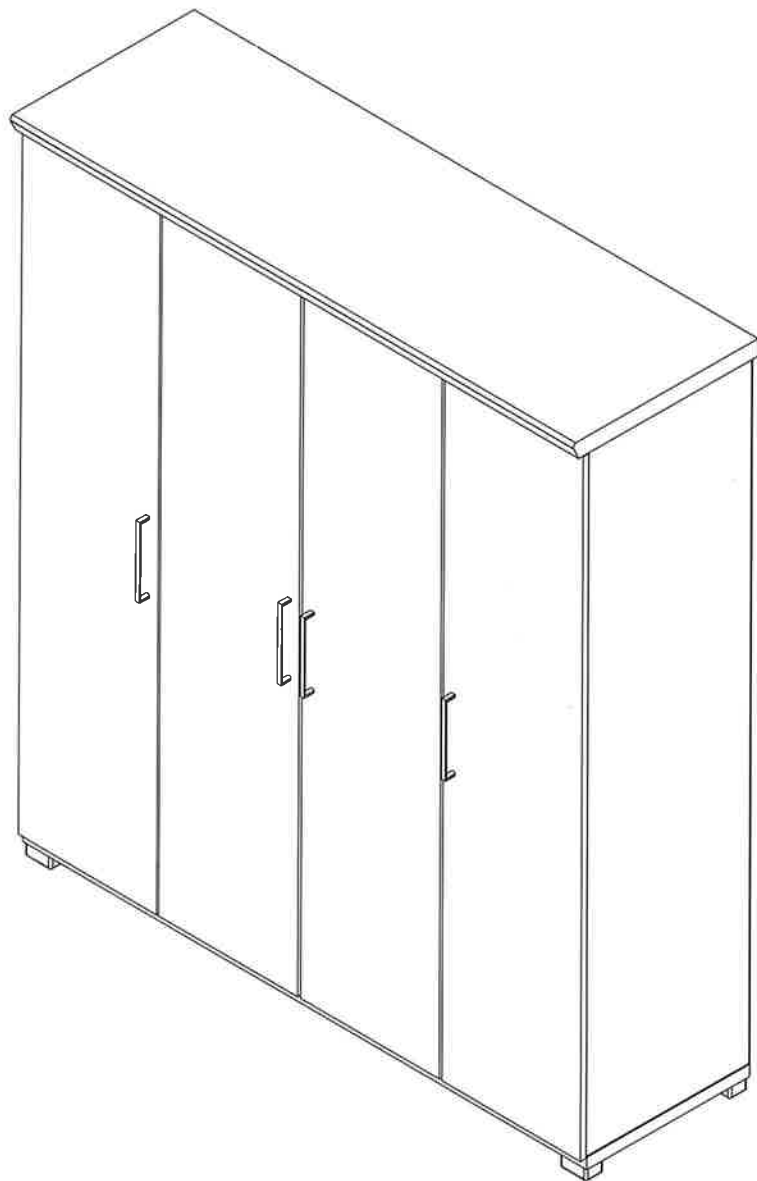
HARDWARE LIST			
NO	DESCRIPTION		QTY
I	JCBCW SCREW M6.3 x 50		32pcs
II	M4 ALLEN KEY		1pc
III	HANDLE & SCREW M3.5 x 30		4sets

IV	STICKER		12pcs
V	PVC LEG & SCREW M3.5 x 30		8sets
VI	HINGE (A) & SCREW M3.5 x 14		6sets
VII	HINGE (B) & SCREW M3.5 x 14		6sets
VIII	M3.5 x 14 CHIPBOARD SCREW		5pcs

IX	PIPE WOOD SIZE : 30 $\frac{2.5}{8}$ "		1pc
X	PIPE SUPPORT & SCREW M3.5 x 14		1sets
XI	SHELF SUPPORT		16pcs
XII	NAIL		80pcs

CAUTION:

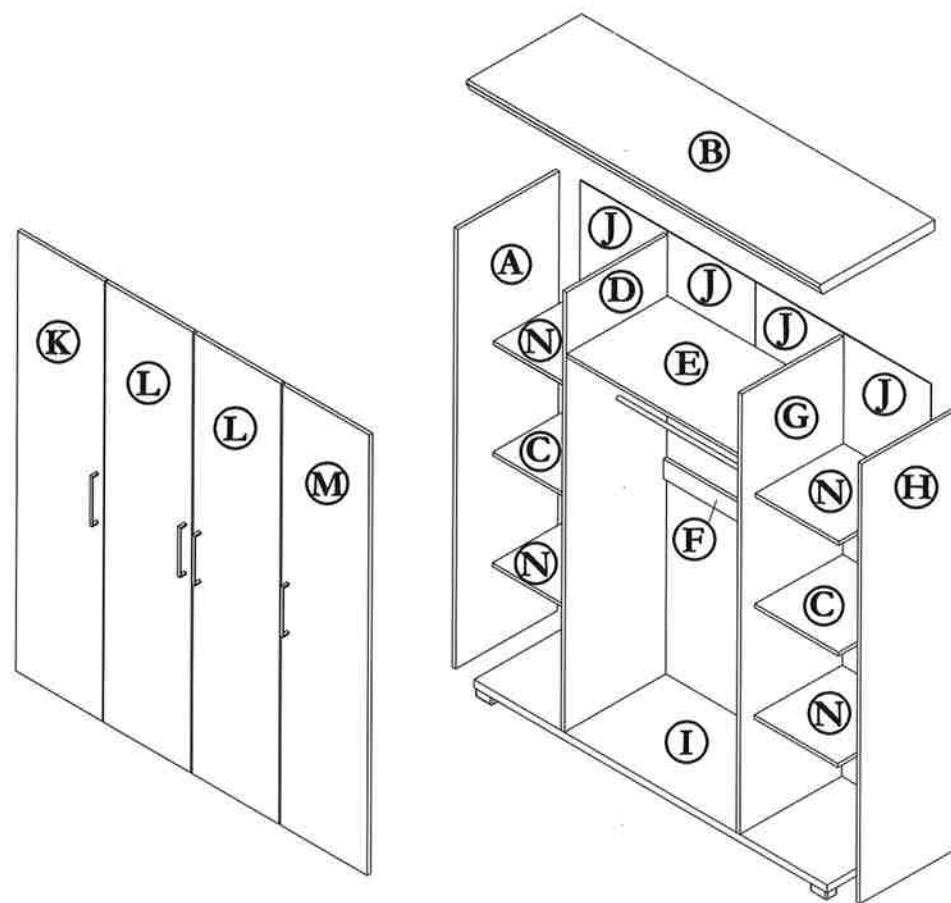
To clean use soft, dry cloth. Do not use detergent or chemicals
Avoid contact with water and direct sunlight.
To be assembled on a soft, dry, clean and smooth surface.



COMPLETE SET

ORDERING REPAIR PARTS

In order to obtain smooth and rapid service when ordering repair parts, please give full attention to the following of PART NUMBER.



NO	DESCRIPTION	QTY
A	LEFT SIDE	01
B	TOP	01
C	CENTRE SHELF	02
D	CENTRE VERTICAL	01
E	CENTRE SHELF	01
F	BACK SUPPORT	01
G	CENTRE VERTICAL	01

NO	DESCRIPTION	QTY
H	RIGHT SIDE	01
I	LOWER SHELF	01
J	BACK	04
K	LEFT SIDE DOOR	01
L	CENTRE DOOR	02
M	RIGHT SIDE DOOR	01
N	MOVABLE SHELF	04