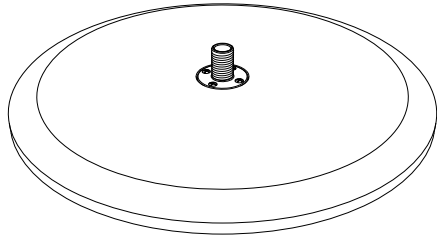
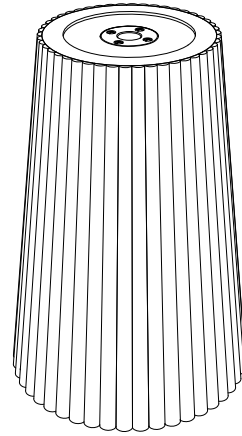


ASSEMBLY INSTRUCTION

ITEM CODE 3311-2

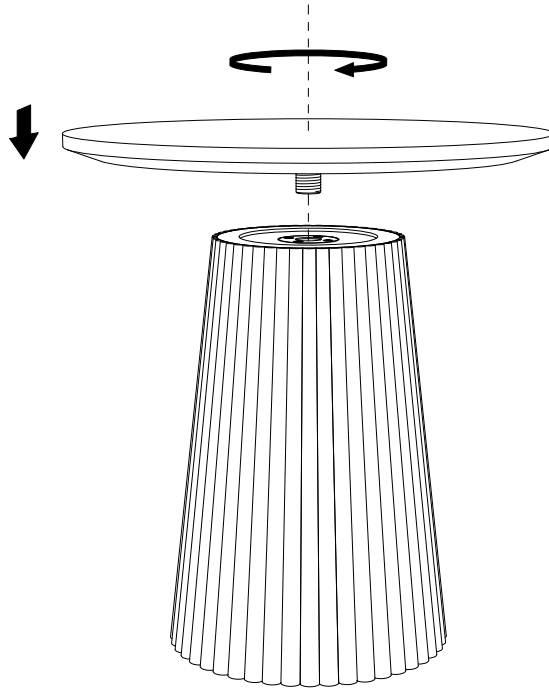


Ax01



Bx01

STEP - 01



Final - 02

