

Assembly Instruction 3050-1

1X1PC



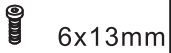
2 X1PC



3 X1PC



A X8PCS



B X8PCS



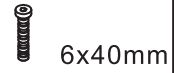
C X1PC



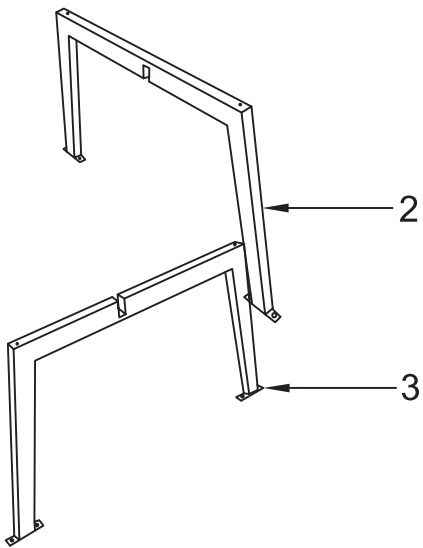
D X4PCS



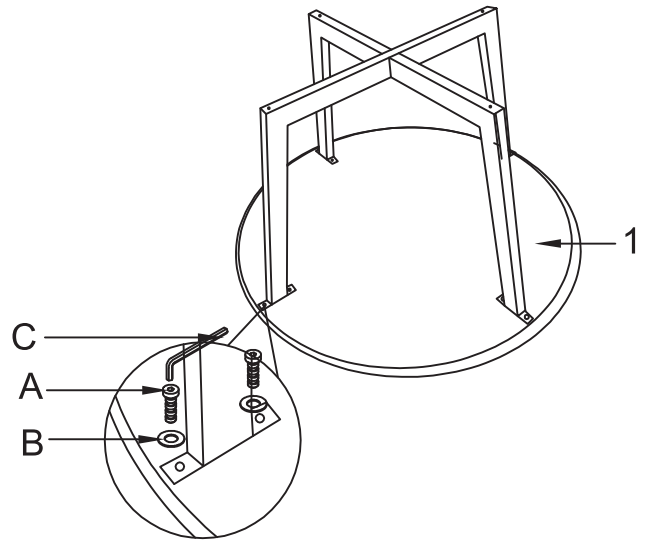
E X1PCS



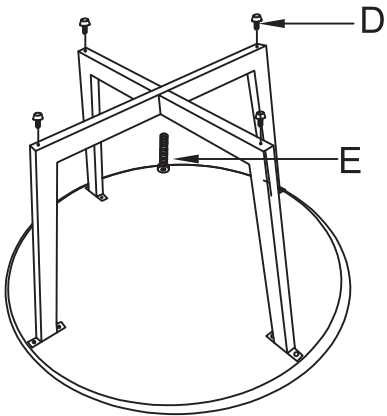
1



2



3



4

