
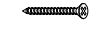




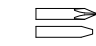

ASSEMBLING INSTRUCTIONS

CAUTION :

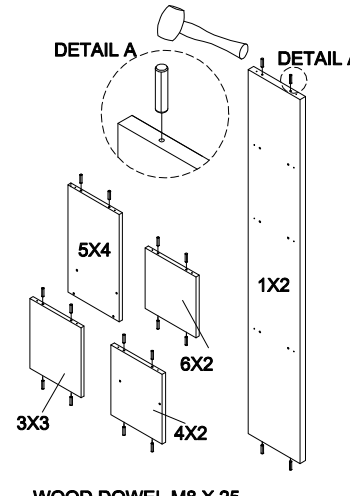
THIS ITEM IS MADE OF LAMINATED PARTICLE BOARD AND MEDIUM DENSITY FIBRE BOARD TO BE ASSEMBLED ON A DRY, SOFT, SMOOTH AND CLEAN SURFACE . DO NOT USE DETERGENT OR CHEMICAL. AVOID DAMP AND DIRECT SUNLIGHT.

STEP 1	CHECK YOUR HARDWARE	H1861-1
	SCREW #9 X 2"	24 PCS
	SCREW #9 X 1 1/2"	20 PCS
	WOOD DOWEL M8 X 25	44 PCS
	CAP	32 PCS

TOOLS REQUIRED:

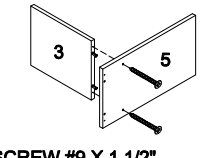
	SCREW DRIVER
	HAMMER

STEP 2



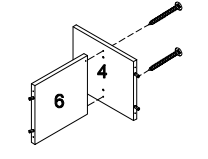
WOOD DOWEL M8 X 25

STEP 3 x 3



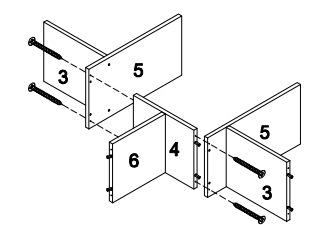
SCREW #9 X 1 1/2"

STEP 4 x 2



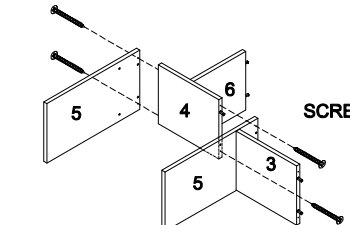
SCREW #9 X 1 1/2"

STEP 5



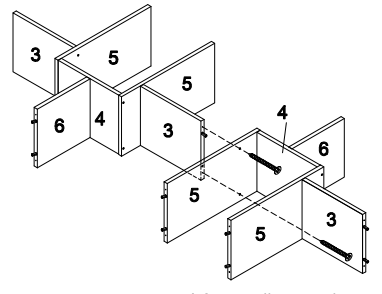
SCREW #9 X 1 1/2"

STEP 6



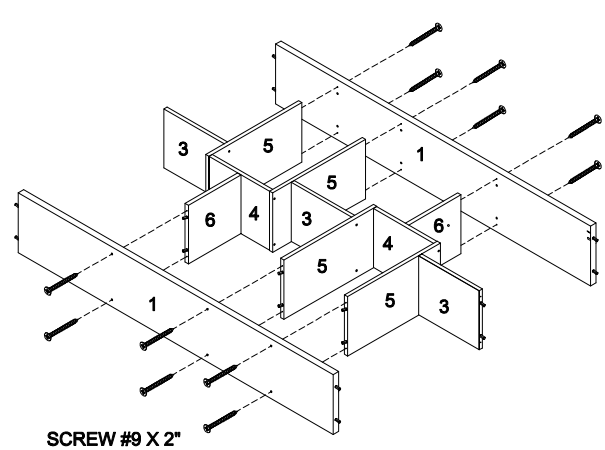
SCREW #9 X 1 1/2"

STEP 7



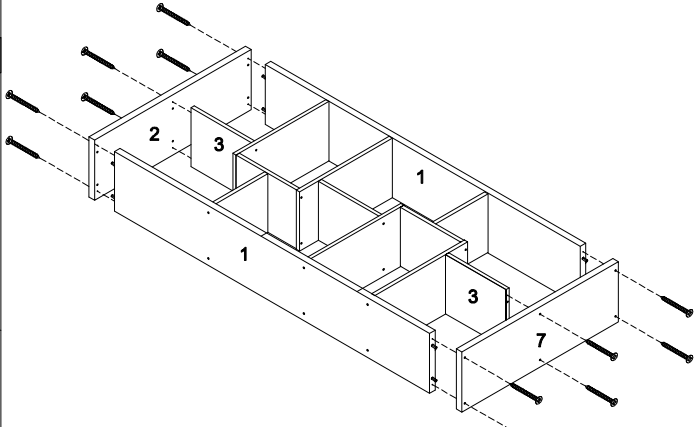
SCREW #9 X 1 1/2"

STEP 8



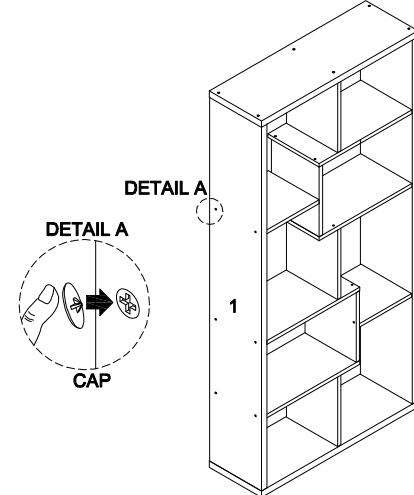
SCREW #9 X 2"

STEP 9



SCREW #9 X 2"

STEP 10



DETAIL A

DETAIL A

CAP