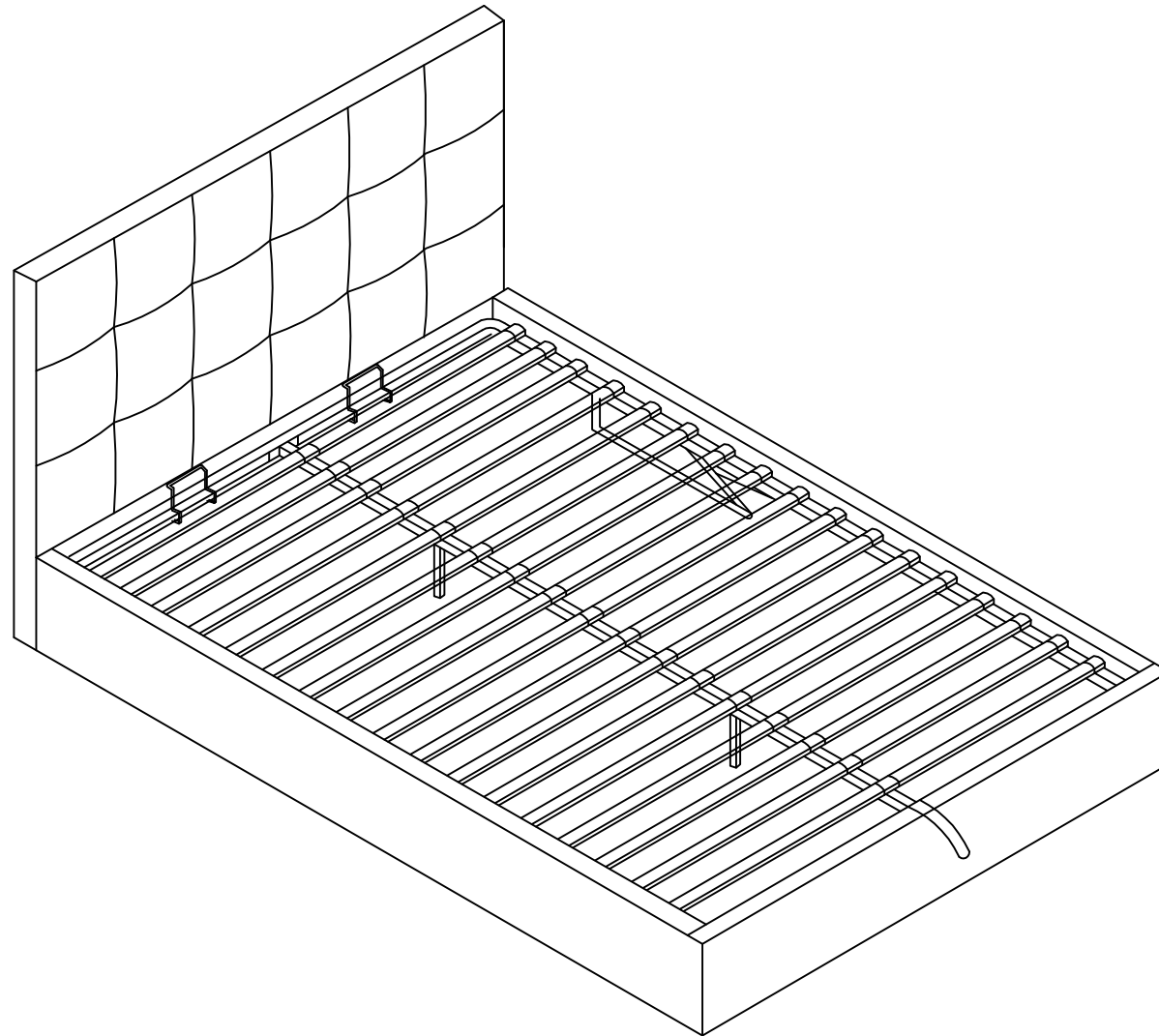
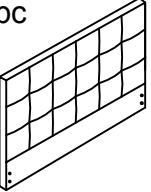
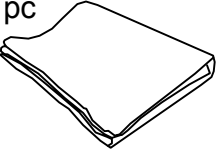
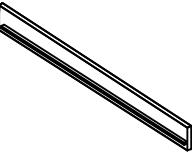
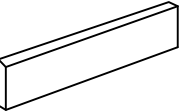
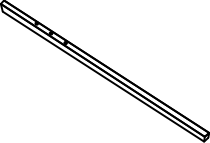
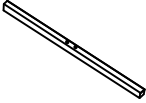
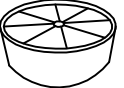
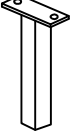
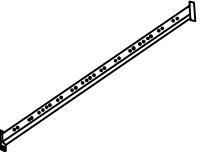

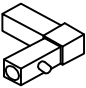

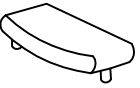
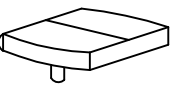
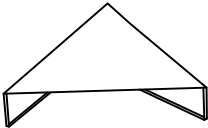
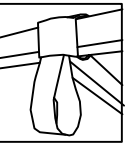








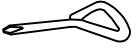


# Assembly Instruction 89526



Parts List		
A. x 1pc 	B.non-woven fabric x 1pc 	C. x 2pcs 
D. x 1pc 	E. x 2pcs 	F. x 2pcs 
G. x 4pcs 	H. x 2pcs 	I. x 1pc 
J. x 2pcs 	K. x 4pcs 	L. x 26pcs 
M. x 26pcs 	N. x 13pcs 	O. x 2pcs 
P. x 1pc 		

Hardware List			
REF		HARDWARE NAME	QTY
1		M8 x 30 BOLT	16pcs
2		M8 x 40 BOLT	14pcs
3		M4 x 40 BOLT	4pcs
4		FLAT WASHE	8pcs
5		SPRING WASHER	8pcs
6		NUT	14pcs
7		ALLEN KEY M5	1pc
8		OPEN SPANNER	1pc
9		ALLEN KEY	1pc
			2

