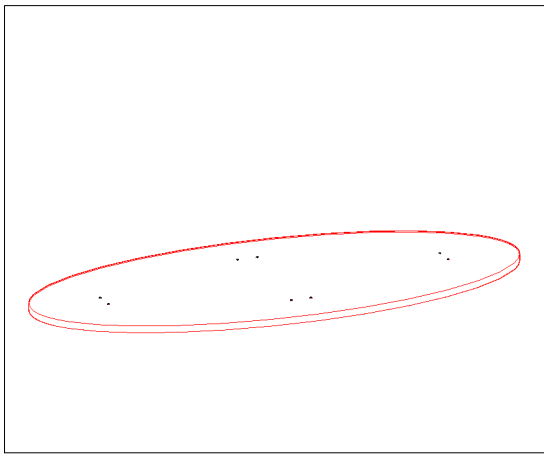
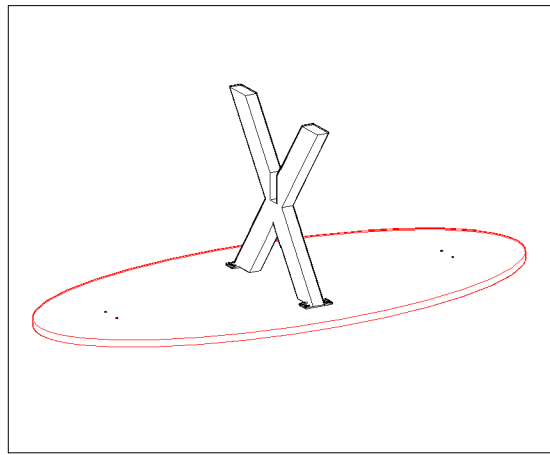


ASSEMBLY INSTRUCTION 51560

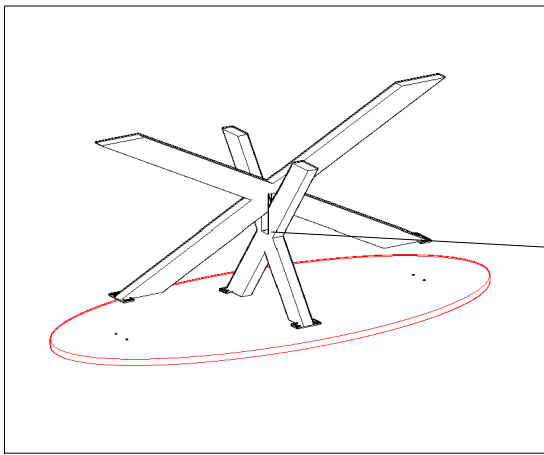
1



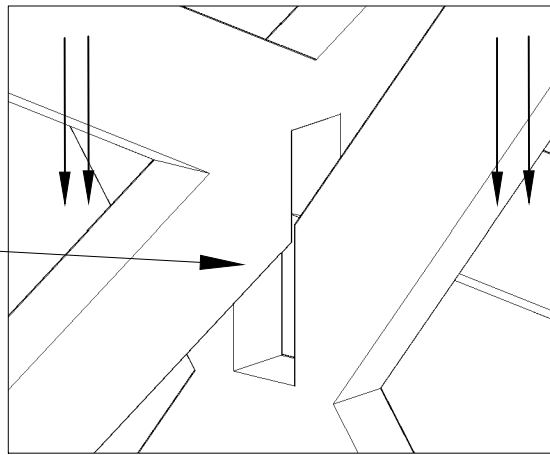
2



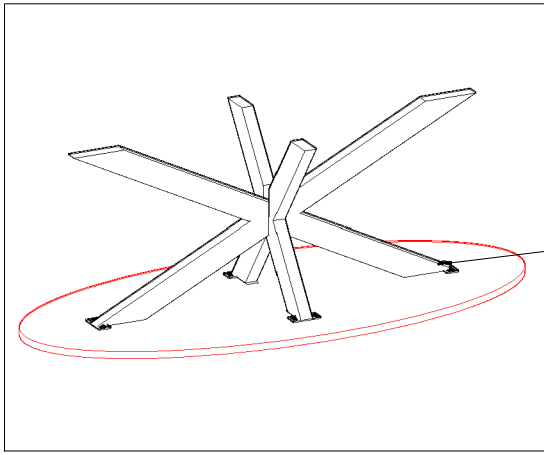
3



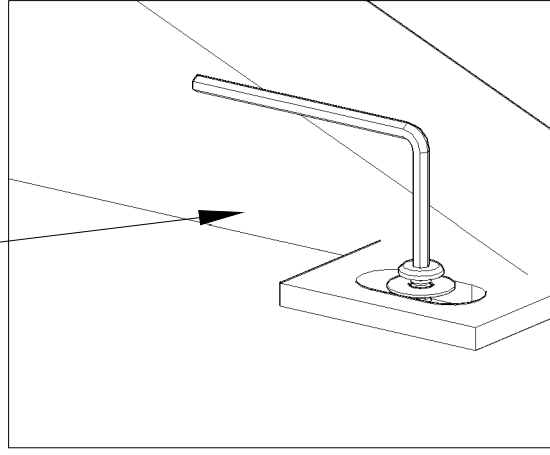
4



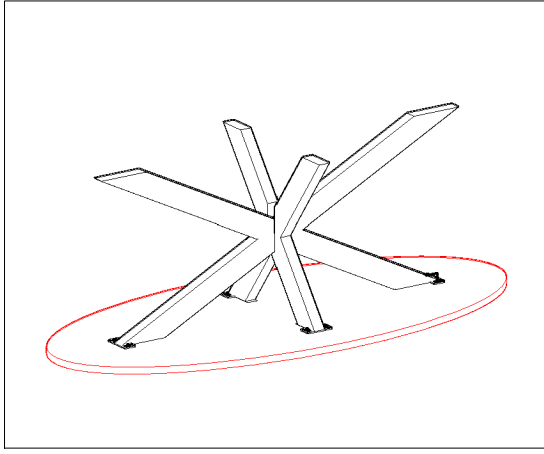
5



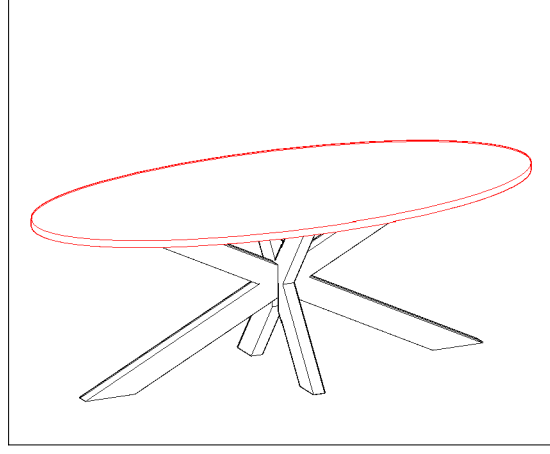
6



7



8



(A) Bolt = 8



(B) AllenKey = 1



(C) Washer = 8

