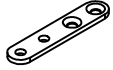



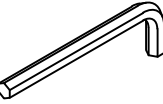

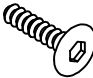


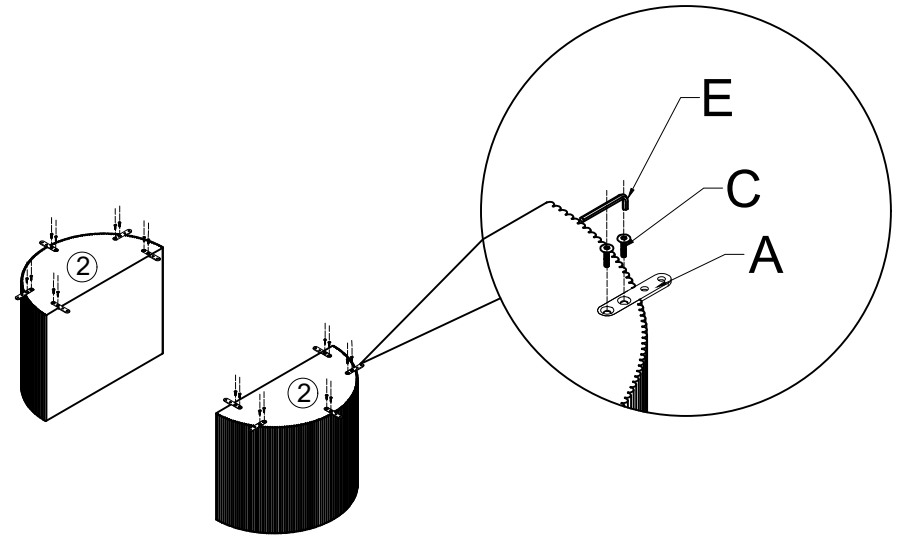
# ASSEMBLY INSTRUCTION 51823

1

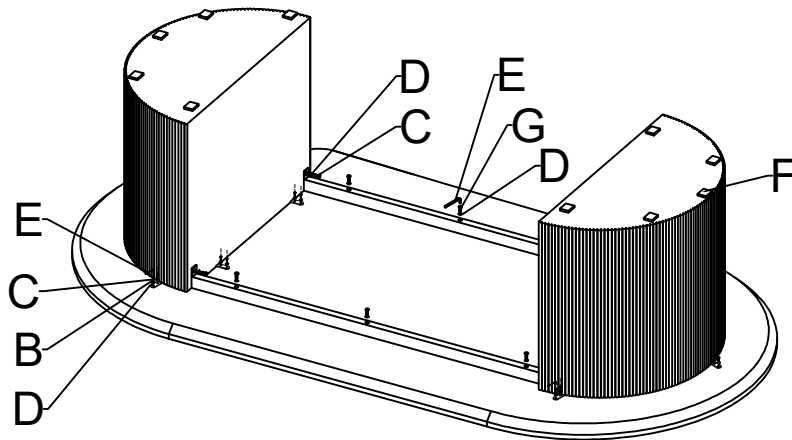
## LIST OF ACCESSORIES

A		B		C		D	
100*20*4	x10	M6	x20	6*20	x44	M6	x30
E		F		G			
4#	x1	40*40*2	x10	6*55	x6		

2



3



4

