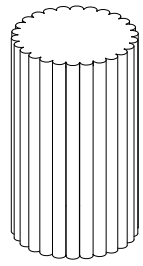
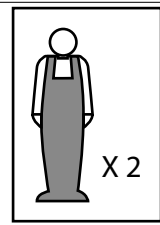
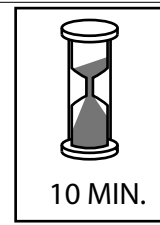
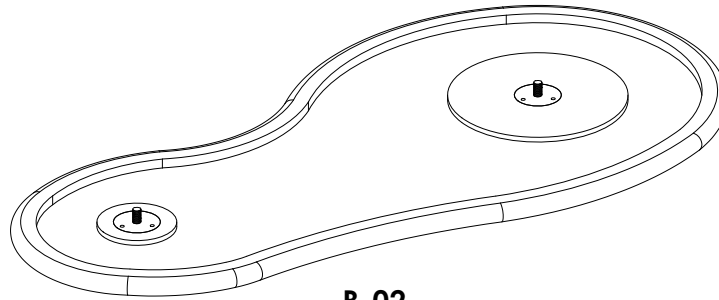


# ASSEMBLY INSTRUCTION

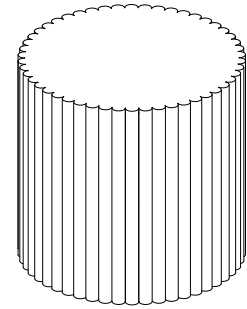
## 3407



A-01

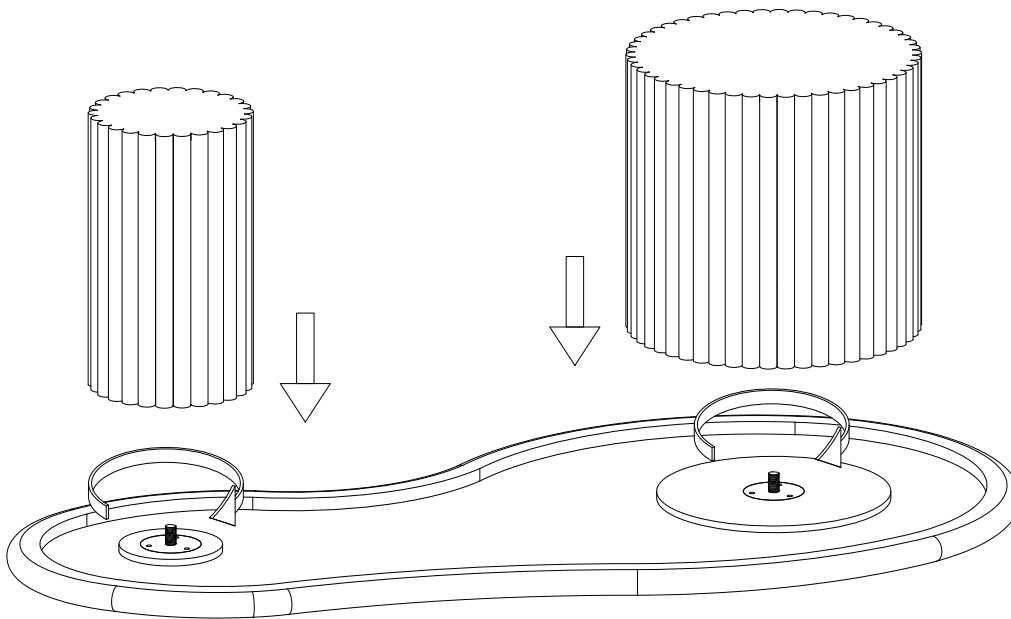


B-02



C-02

### STEP - 01



### Final - 02

