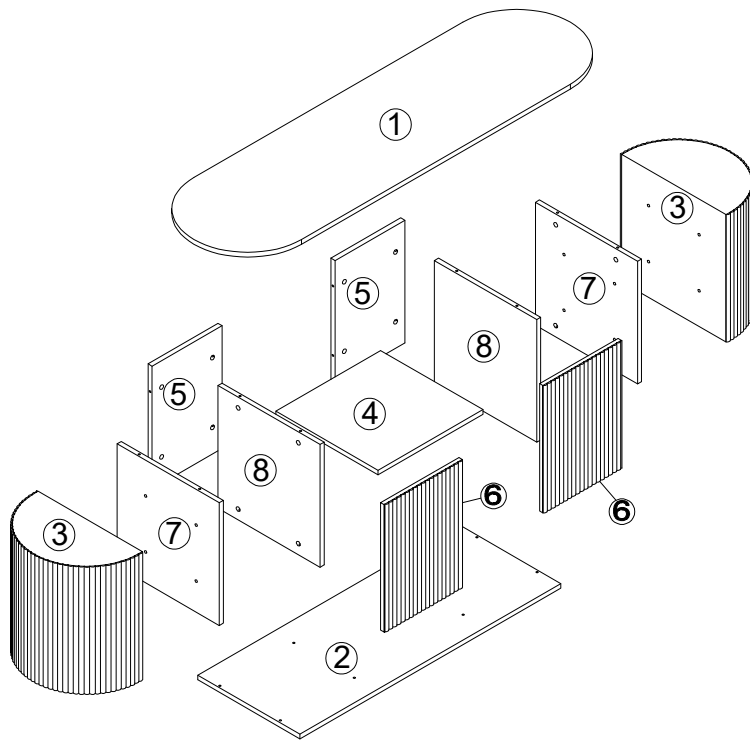
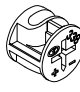



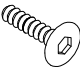
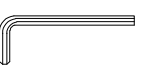
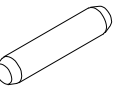


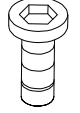


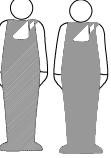
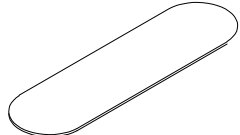
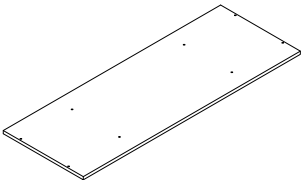
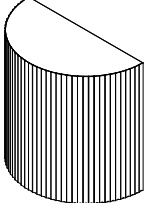
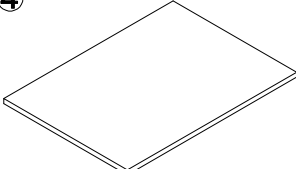
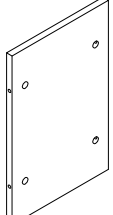
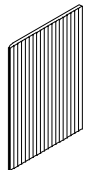
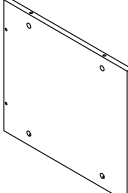
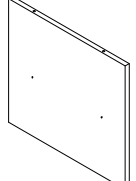
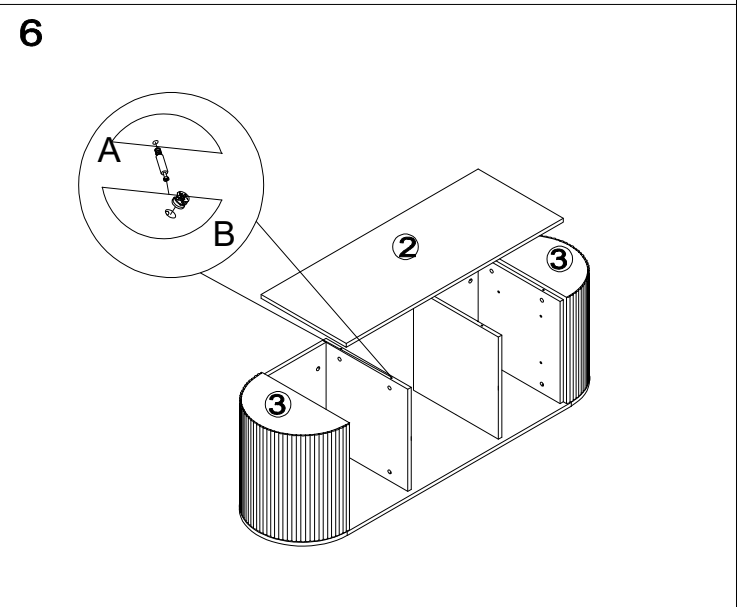
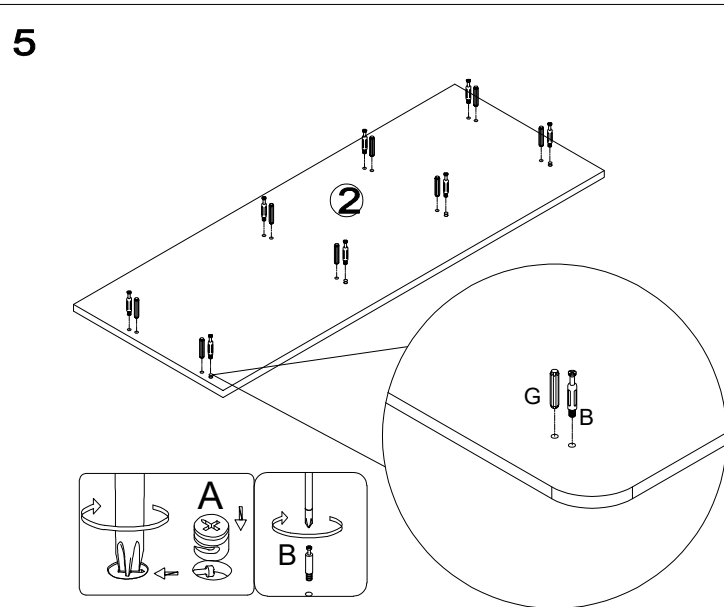
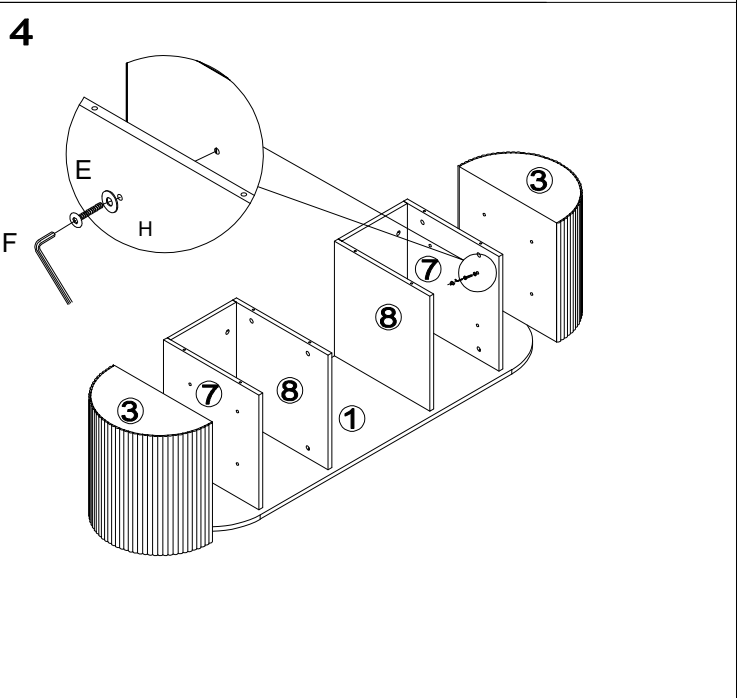
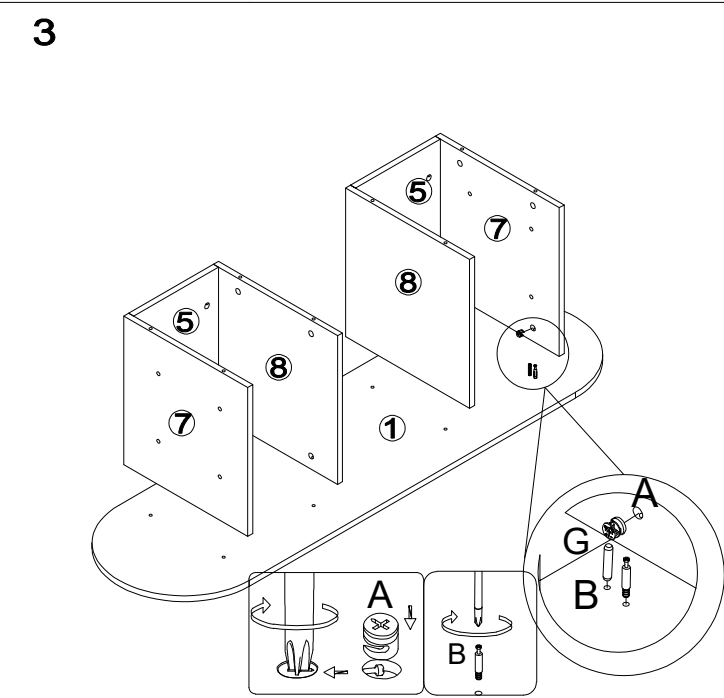
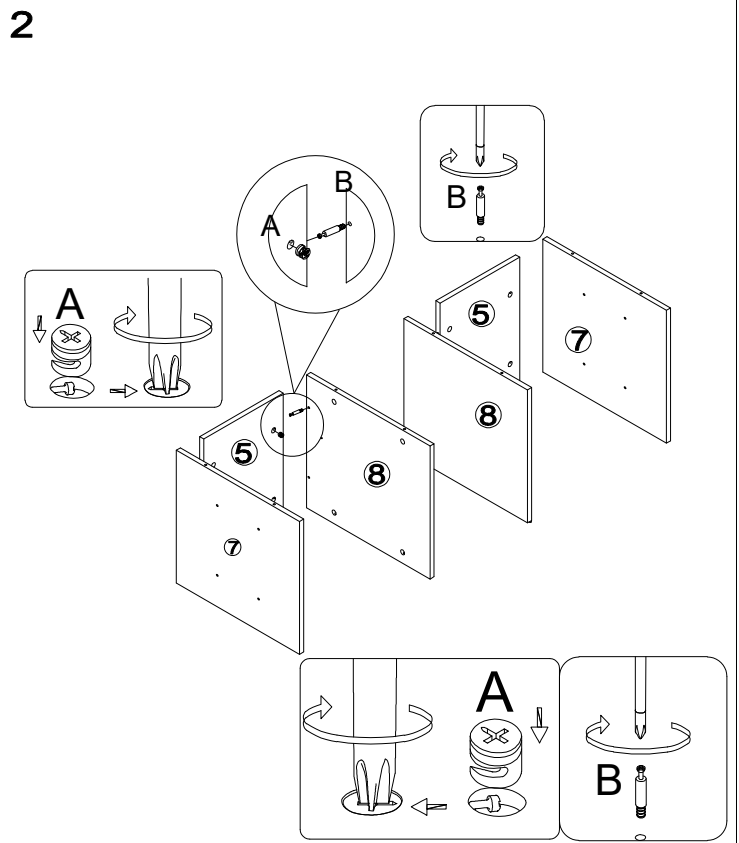
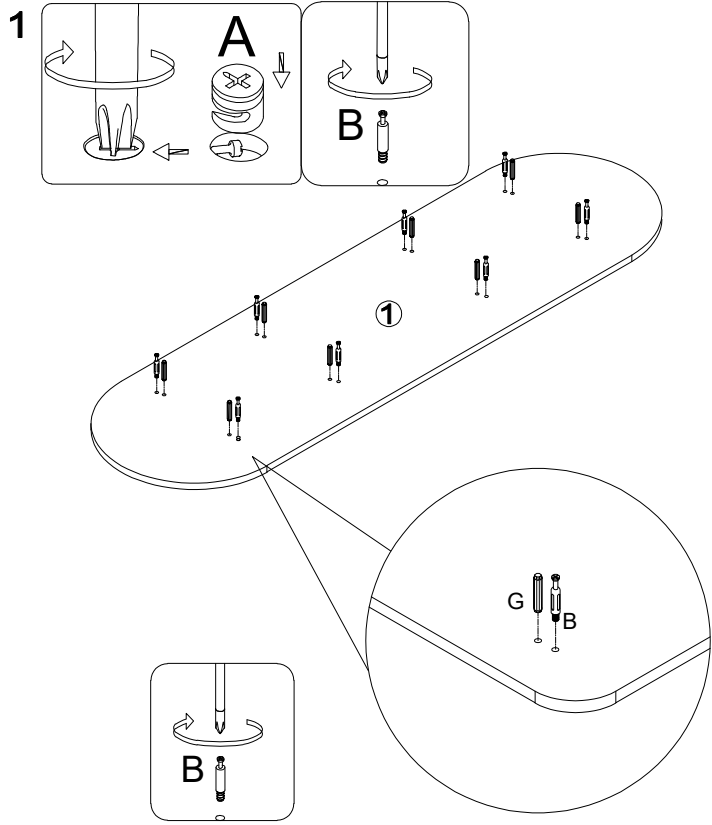


# ASSEMBLY INSTRUCTION 2170

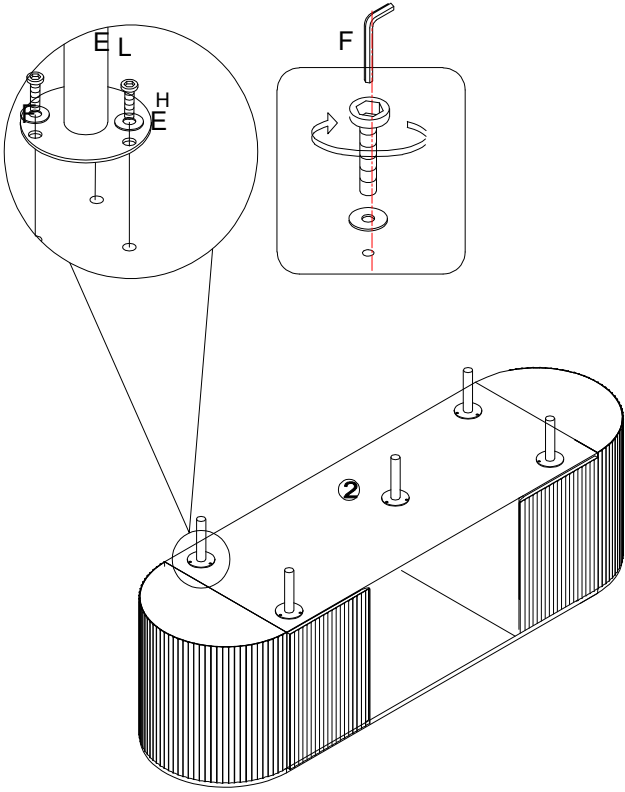


<b>A</b>  X24	<b>B</b>  X24	<b>C</b>  X4	<b>D</b>  X24	<b>E</b>  M6x35 X8	<b>F</b>  X1	<b>G</b>  X16
<b>H</b>  X23	<b>I</b>  X4	<b>K</b>  M6x16 X15	<b>L</b>  X5	 <b>60min</b>		

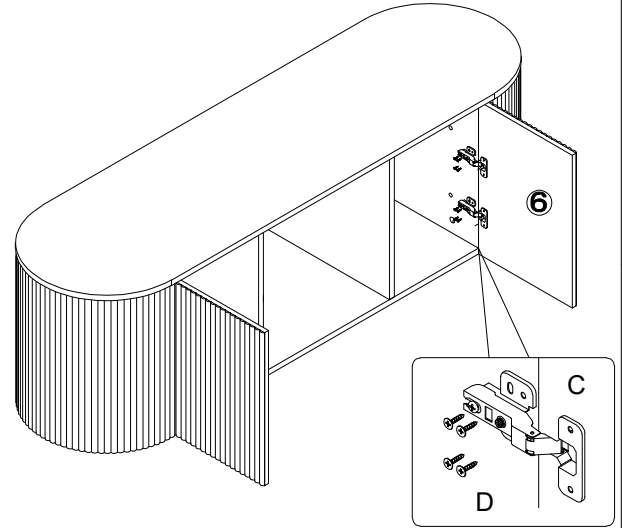
<b>①</b>  X1	<b>②</b>  X1	<b>③</b>  X2	<b>④</b>  X1
<b>⑤</b>  X2	<b>⑥</b>  X2	<b>⑦</b>  X2	<b>⑧</b>  X2



7



8



9

