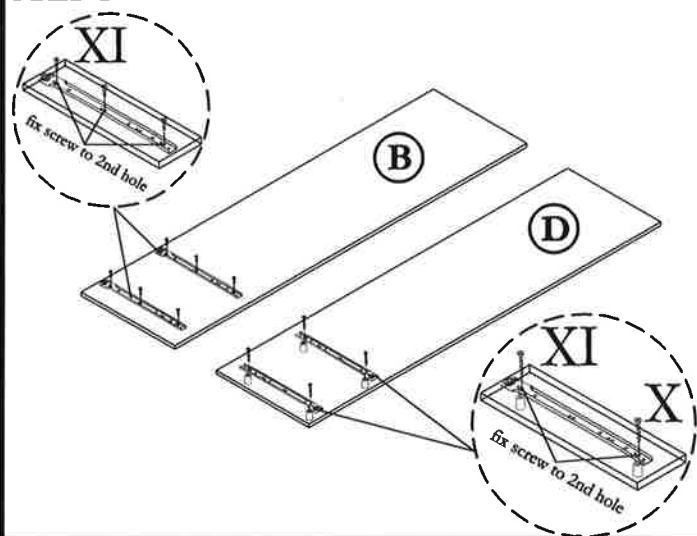


ASSEMBLY INSTRUCTION

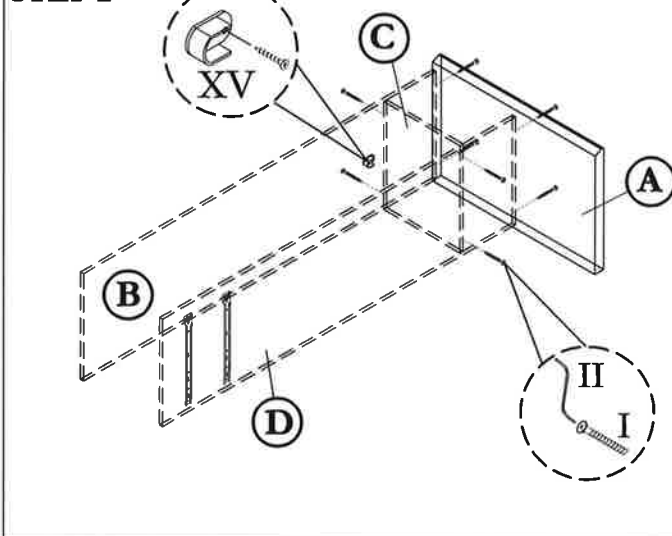
MODEL : 6705 / WARDROBE

Before you begin, please follow assembly instruction carefully.
Then follow them step by step.

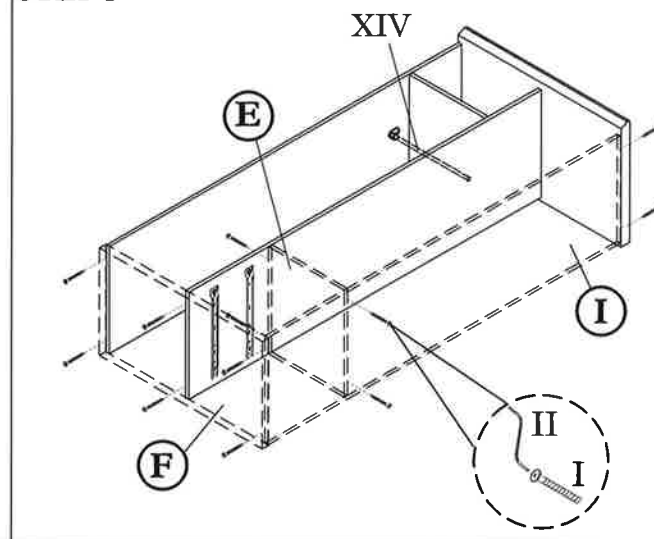
STEP 1



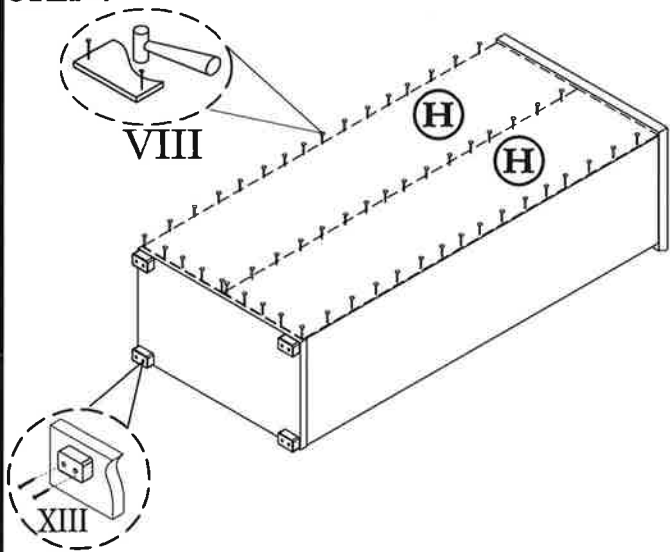
STEP 2



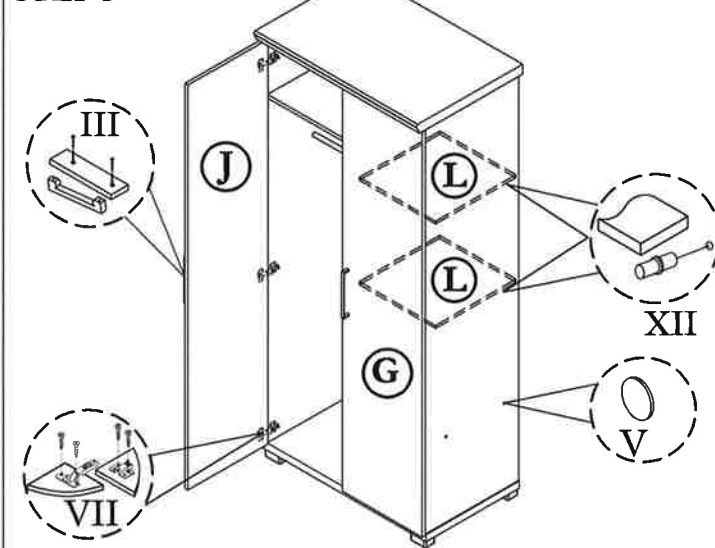
STEP 3



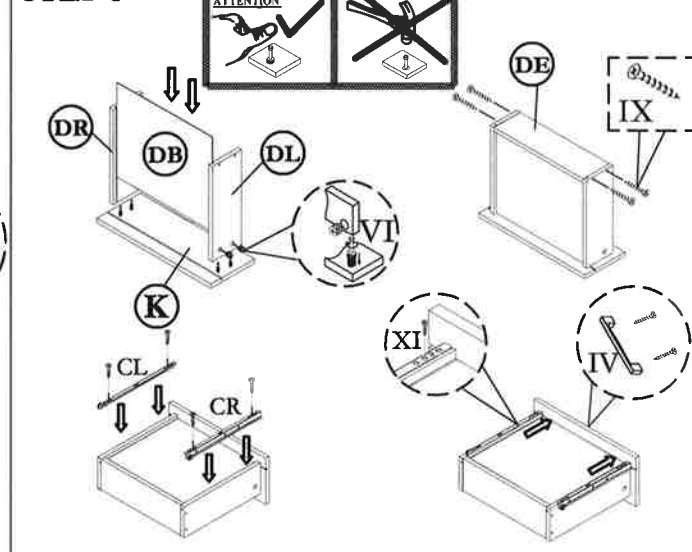
STEP 4



STEP 5



STEP 6



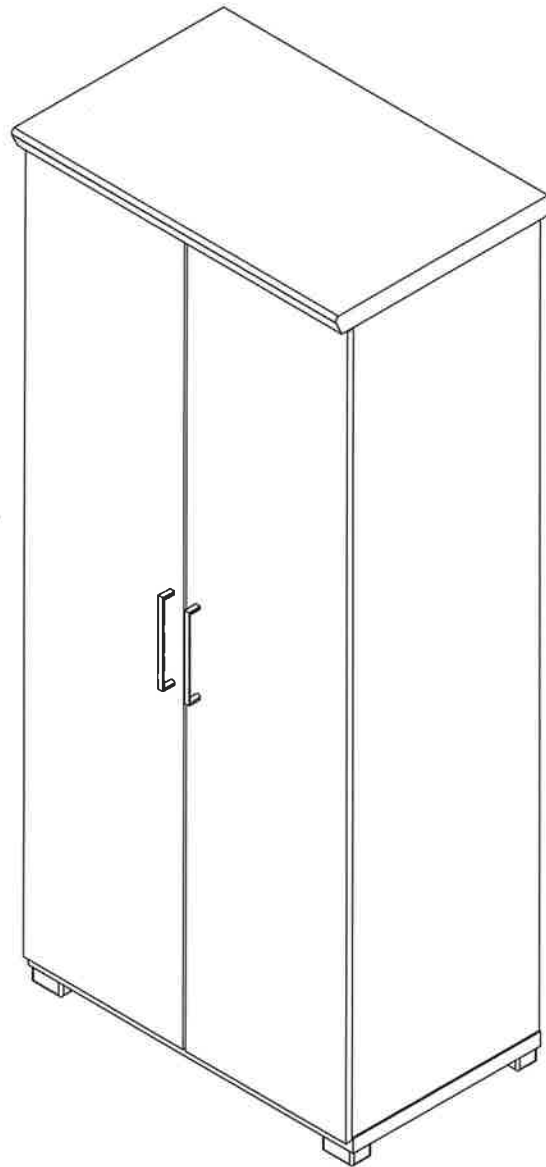
HARDWARE LIST			
NO	DESCRIPTION		QTY
I	JCBCW SCREW M6.3 x 20		20pcs
II	M4 ALLEN KEY		1pc
III	HANDLE & SCREW M3.5 x 20		2sets
IV	HANDLE & SCREW M3.5 x 30		2sets
V	STICKER		10pcs

VI	Q-FIT		8sets
VII	HINGE (A) & SCREW M3.5 x 16		6sets
VIII	NAIL		60pcs
IX	M8 x 32 CHIPBOARD SCREW		8pcs
X	01-32 SPACE PARTS & SCREW M4 x 50		4sets
XI	12" DRAWER SLIDER & SCREW M3.5 x 16		2sets
XII	SHELF SUPPORT		8pcs

XIII	PVC LEG & SCREW M3.5 x 30		4sets
XIV	PIPE WOOD SIZE : 14 3/8"		1pc
XV	PIPE SUPPORT & SCREW M3.5 x 16		2sets

CAUTION:

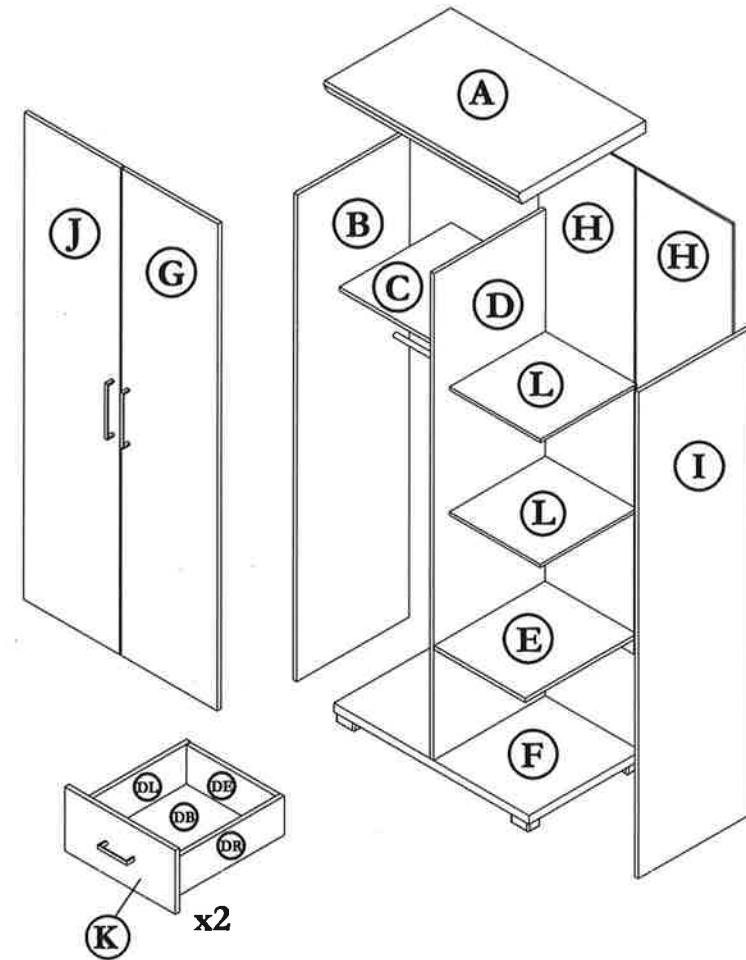
To clean use soft, dry cloth. Do not use detergent or chemicals
 Avoid contact with water and direct sunlight.
 To be assembled on a soft, dry, clean and smooth surface.



COMPLETE SET

ORDERING REPAIR PARTS

In order to obtain smooth and rapid service when ordering repair parts, please give full attention to the following of PART NUMBER.



NO	DESCRIPTION	QTY
A	TOP	01
B	LEFT SIDE	01
C	CENTRE SHELF	01
D	CENTRE VERTICAL	01
E	CENTRE SHELF	01
F	LOWER SHELF	01

NO	DESCRIPTION	QTY
G	RIGHT SIDE DOOR	01
H	BACK	02
I	RIGHT SIDE	01
J	LEFT SIDE DOOR	01
K	DRAWER FACE	02
L	MOVABLE SHELF	02

NO	DESCRIPTION	QTY
DL	DRAWER SIDE (Left)	02
DR	DRAWER SIDE (Right)	02
DB	DRAWER BASE	02
DE	DRAWER END	02