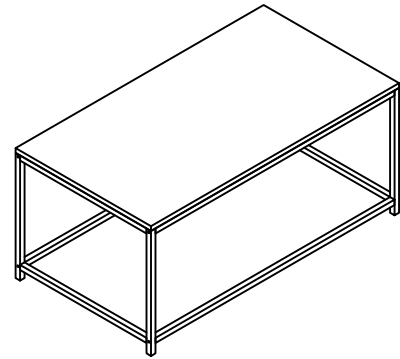


Assembly Instruction 3075-1



A	B	C	D	E	F	G	H
M6*35			M6*30				
x8	x1	x8	x4	x1	x2	x2	x2

