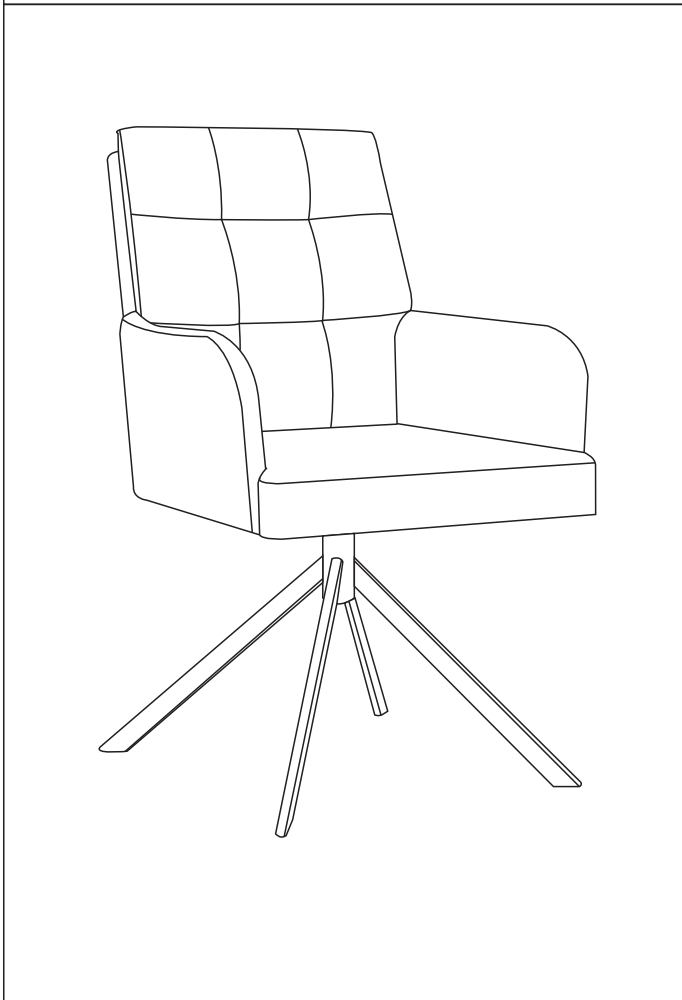
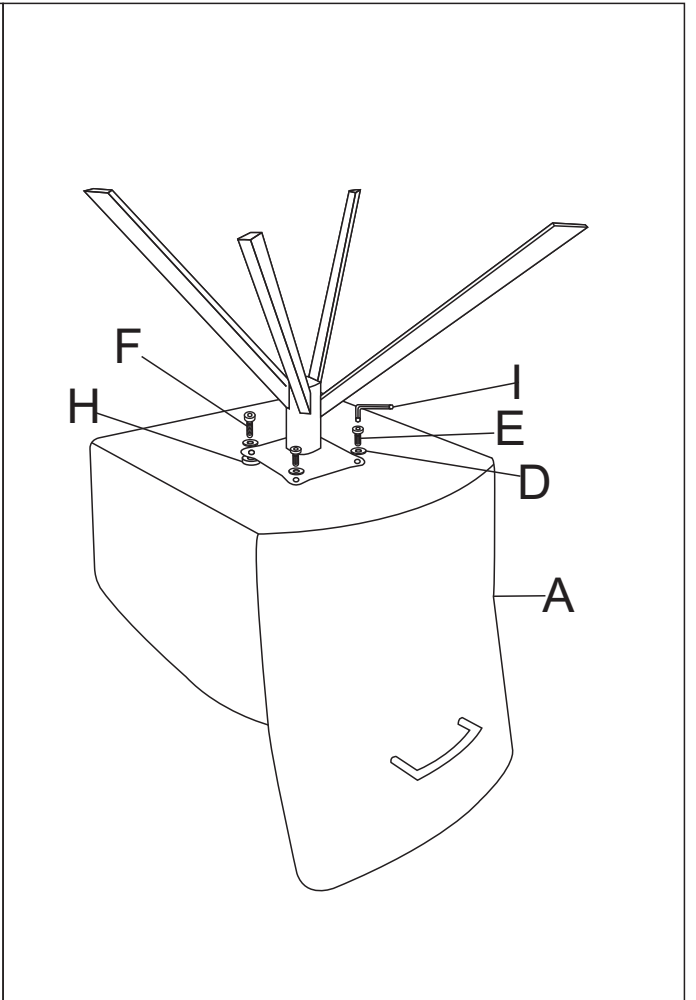
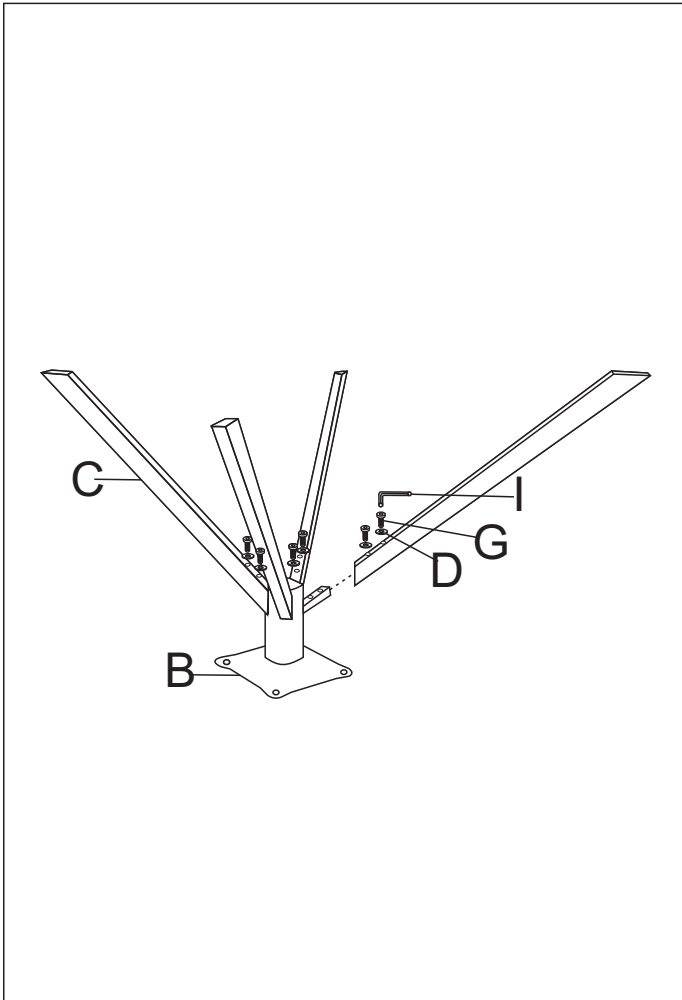
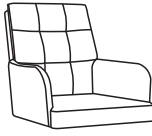
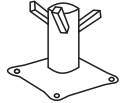

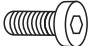
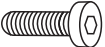






# Assembly Instruction 9480



 <p>Ax1</p>	 <p>Bx1</p>
 <p>Cx4</p>	 <p>Dx8</p>
 <p>Ex2</p>	 <p>Fx2</p>
 <p>Gx12</p>	 <p>Hx2</p>
 <p>Ix1</p>	