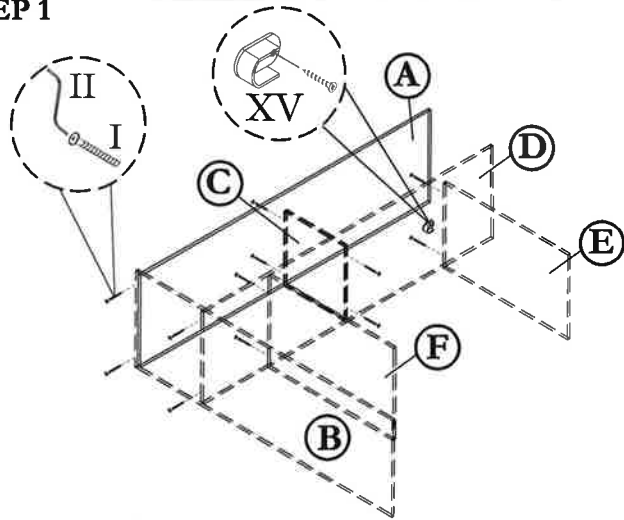


ASSEMBLY INSTRUCTION

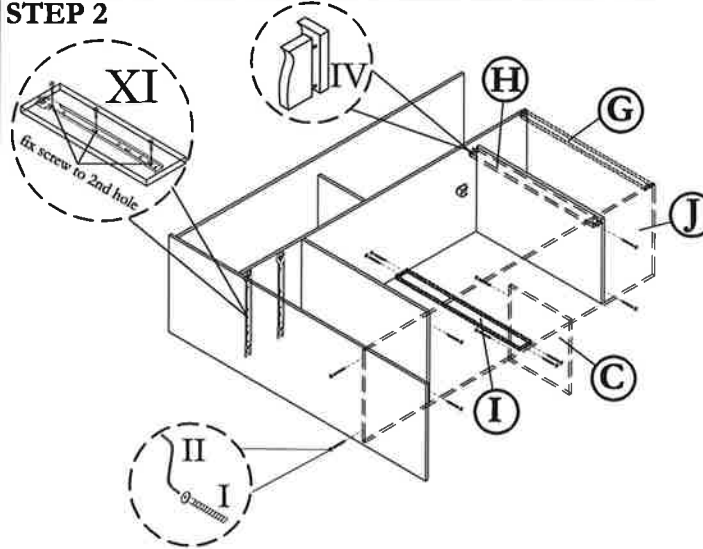
MODEL : 6925 MARC / WARDROBE

Before you begin, please follow assembly instruction carefully.
Then follow them step by step.

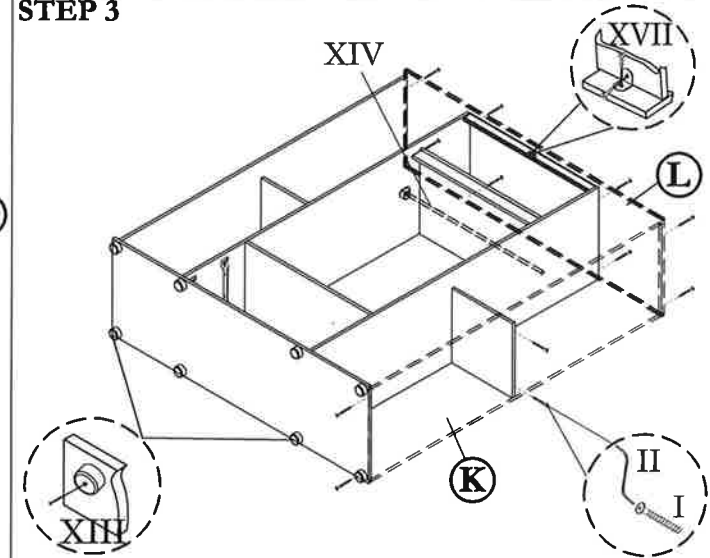
STEP 1



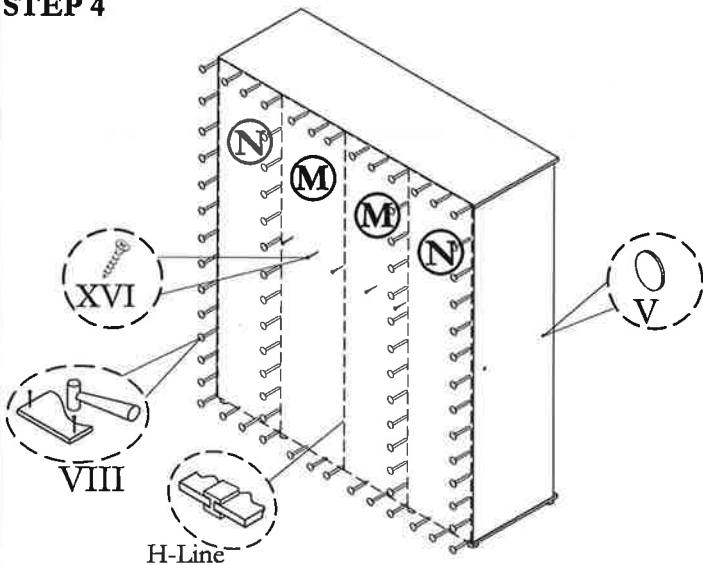
STEP 2



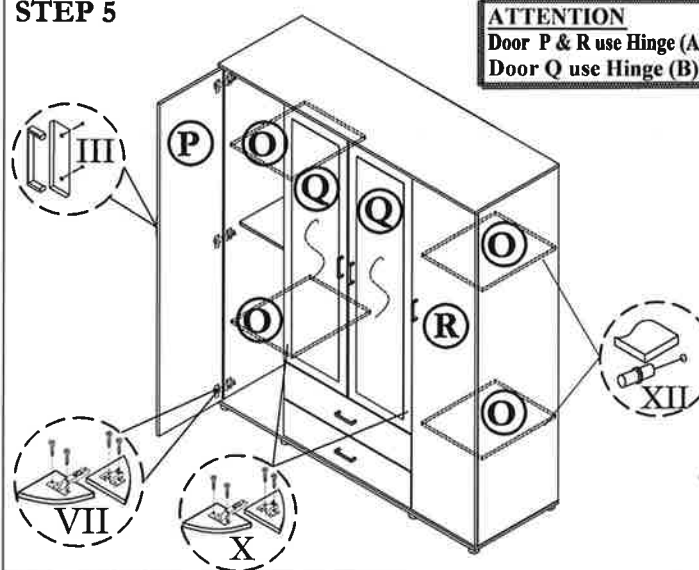
STEP 3



STEP 4

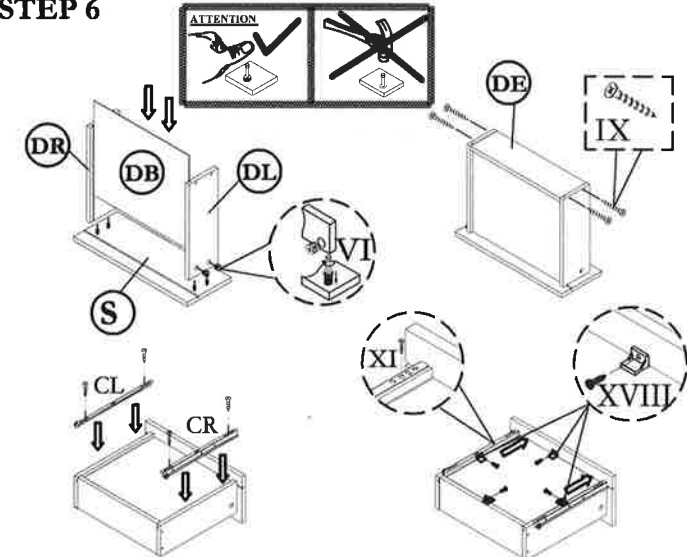


STEP 5



ATTENTION
Door P & R use Hinge (A)
Door Q use Hinge (B)

STEP 6



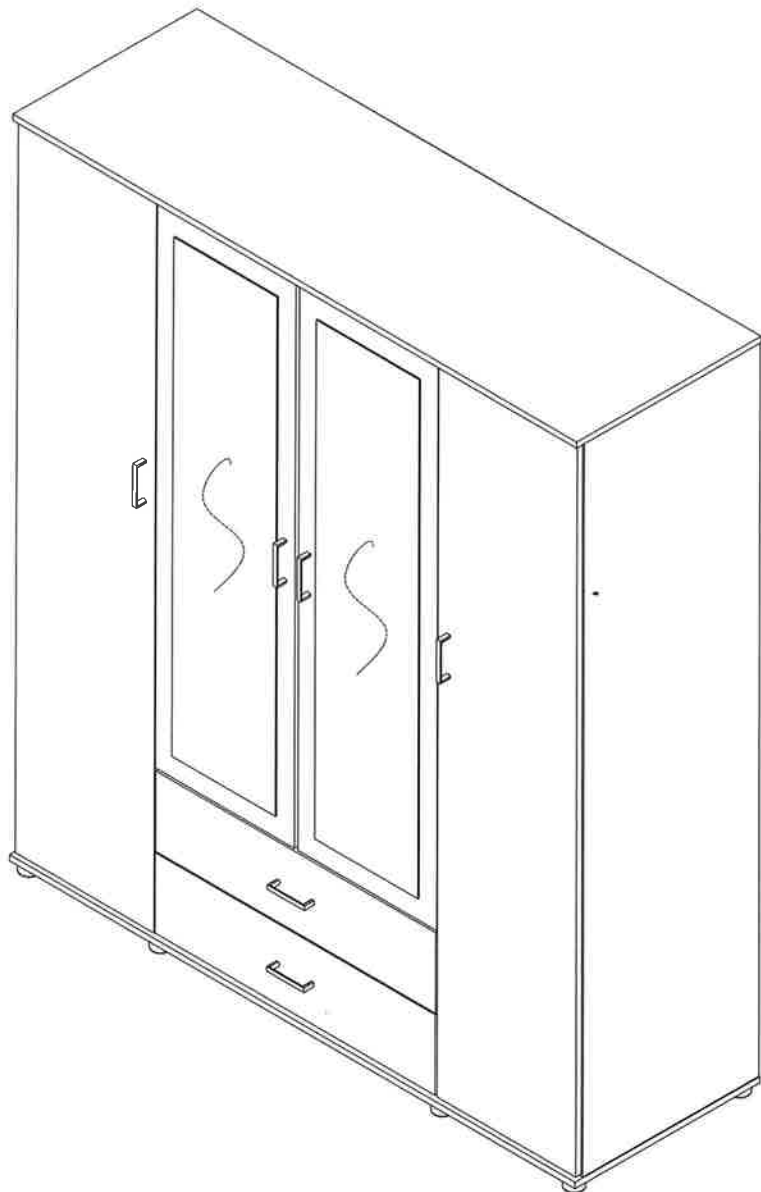
HARDWARE LIST			
NO	DESCRIPTION		QTY
I	JCBCW SCREW M6.3 x 10		36pcs
II	M4 ALLEN KEY		1pc
III	HANDLE & SCREW M3.5 x 30		6sets
IV	PLASTIC DOWEL M8 x 30		6pcs
V	STICKER		4pcs

VI	Q-FIT		8sets
VII	HINGE (A) & SCREW M3.5 x 14		6sets
VIII	NAIL		60pcs
IX	M8 x 32 CHIPBOARD SCREW		8pcs
X	HINGE (B) & SCREW M3.5 x 14		6sets
XI	14" DRAWER SLIDER & SCREW M3.5 x 14		2sets
XII	SHELF SUPPORT		16pcs

XIII	PVC LEG & SCREW M3.5 x 30		8sets
XIV	PIPE WOOD SIZE : 30 x 25		1pc
XV	PIPE SUPPORT & SCREW M3.5 x 14		2sets
XVI	M3.5 x 14 CHIPBOARD SCREW		5pcs
XVII	L-BRACKET & SCREW M3.5 x 14		1sets
XVIII	DRAWER SUPPORT & SCREW M3.5 x 14		8sets

CAUTION:

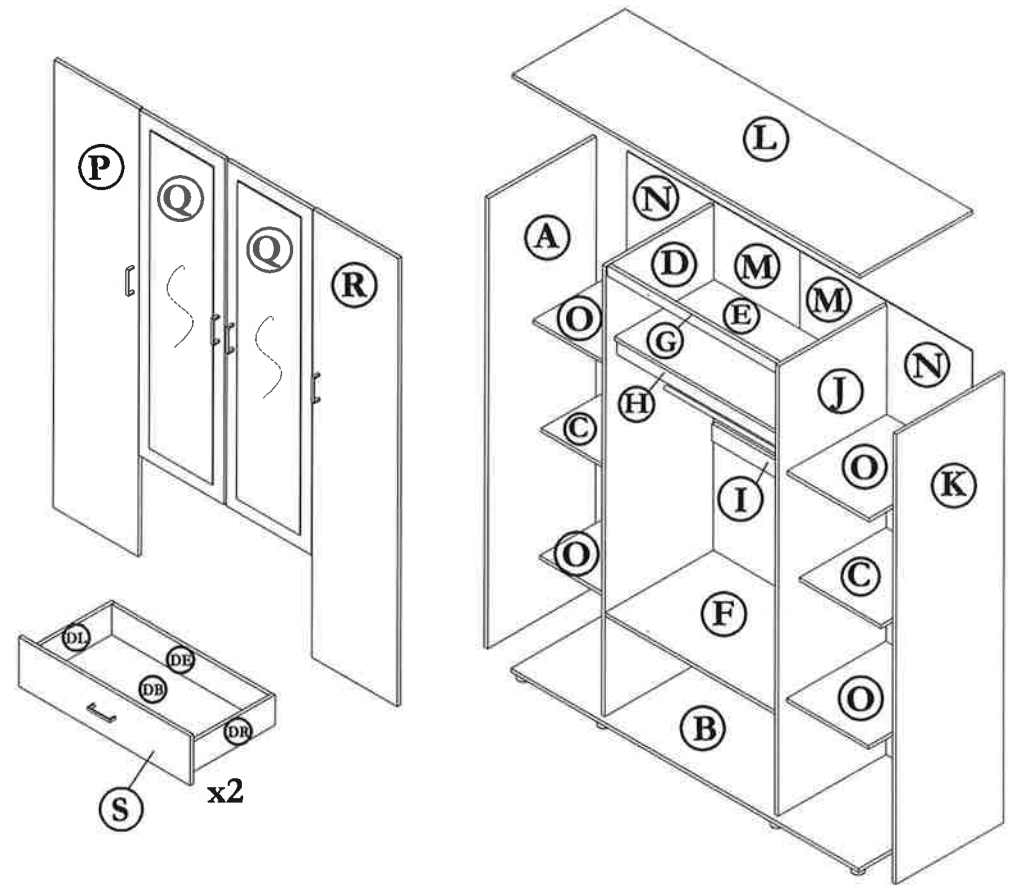
To clean use soft, dry cloth. Do not use detergent or chemicals
 Avoid contact with water and direct sunlight.
 To be assembled on a soft, dry, clean and smooth surface.



COMPLETE SET

ORDERING REPAIR PARTS

In order to obtain smooth and rapid service when ordering repair parts, please give full attention to the following of PART NUMBER.



NO	DESCRIPTION	QTY
A	LEFT SIDE	01
B	LOWER SHELF	01
C	CENTRE SHELF	02
D	CENTRE VERTICAL	01
E	CENTRE SHELF	01
F	CENTRE SHELF	01
G	TOP SUPPORT	01
H	CENTRE SHELF SUPPORT	01

NO	DESCRIPTION	QTY
I	BACK SUPPORT	01
J	CENTRE VERTICAL	01
K	RIGHT SIDE	01
L	TOP	01
M	BACK	02
N	BACK	02
O	MOVABLE SHELF	04
P	LEFT SIDE DOOR	01

NO	DESCRIPTION	QTY
Q	CENTRE DOOR	02
R	RIGHT SIDE DOOR	01
S	DRAWER FACE	02
DL	DRAWER SIDE (Left)	02
DR	DRAWER SIDE (Right)	02
DE	DRAWER BASE	02
DE	DRAWER END	02