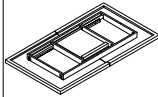
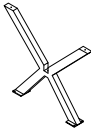
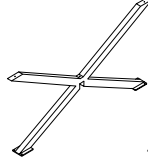
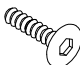

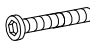



# ASSEMBLY INSTRUCTION 52160-3

## LIST OF ACCESSORIES

A	 1PCS	B	 1PCS	C	 1PCS	D	 M8X20 8PCS
E	 9PCS	F	 M8X55 1PCS	G	 1PCS		

## ASSEMBLING STEPS

