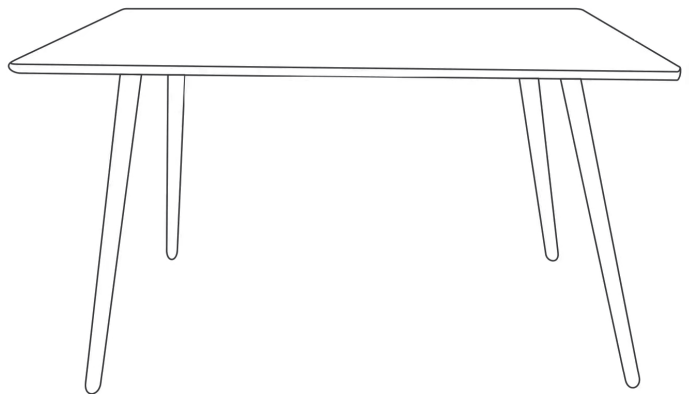
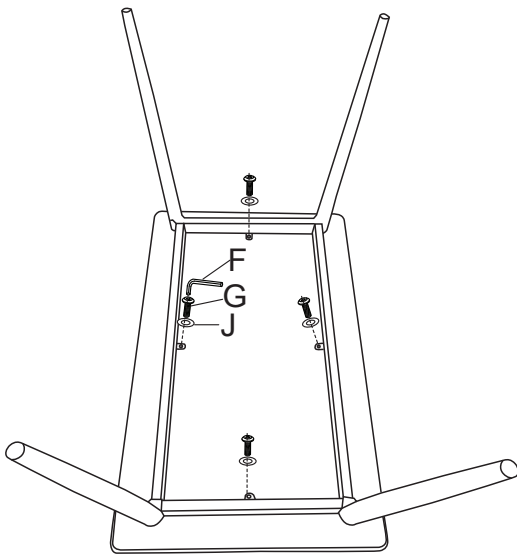
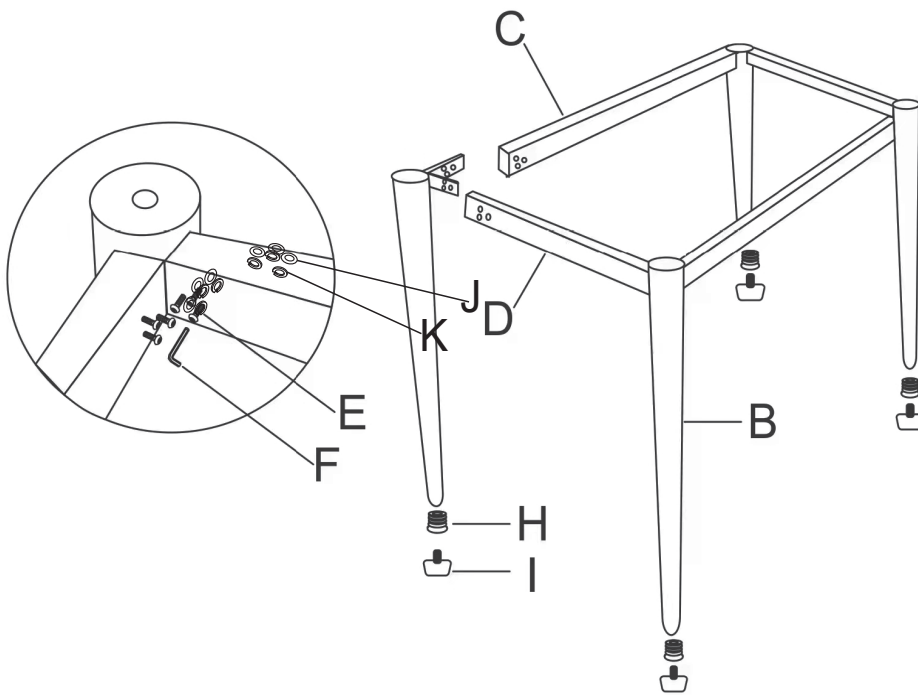


# ASSEMBLY INSTRUCTION

ITEM NO.50214-3



Ax1	Bx4	Cx2	Dx2	Ex24	Fx1	Gx4	Hx4	Ix4	Jx28	Kx24