

ITEM CODE 51618

ASSEMBLY INSTRUCTION

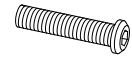
Hardware



Ax01

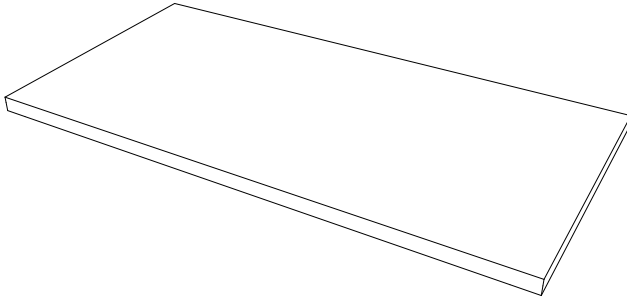


Bx08

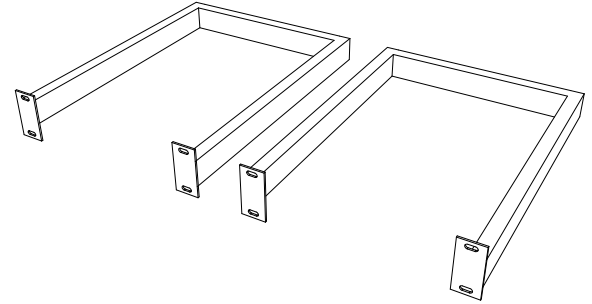


Cx08

Componant

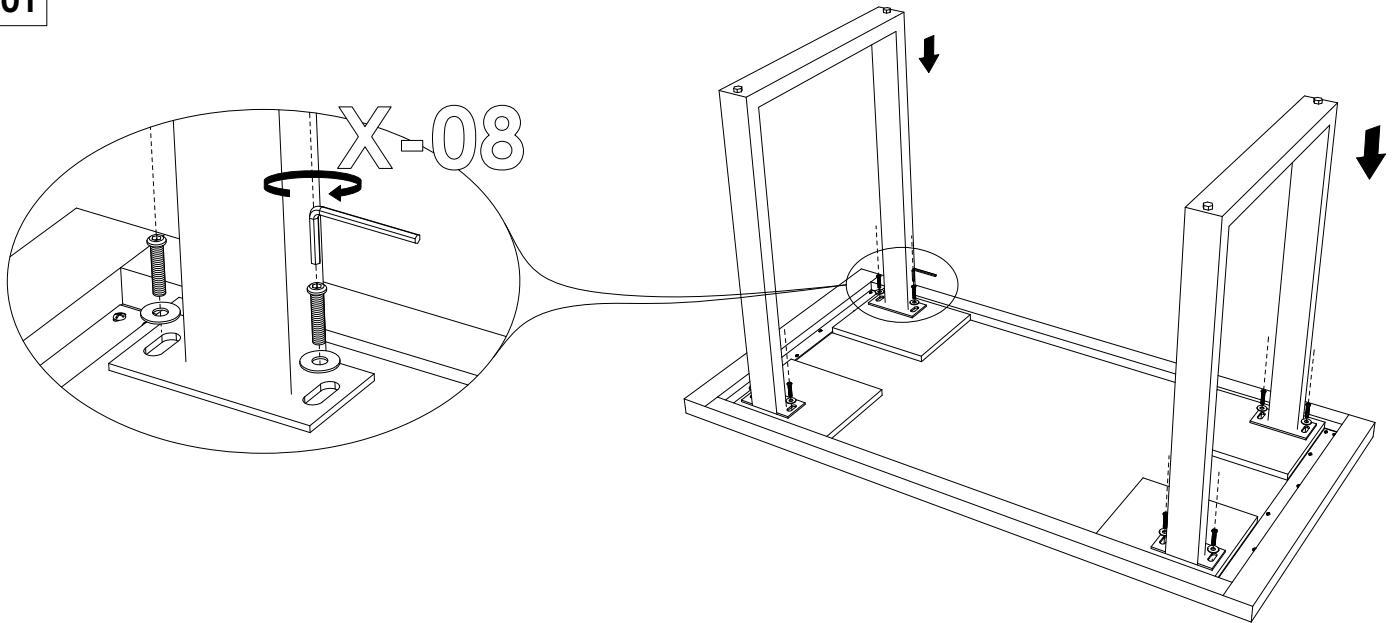


Dx01



Ex02

STEP - 01



Final - 02

