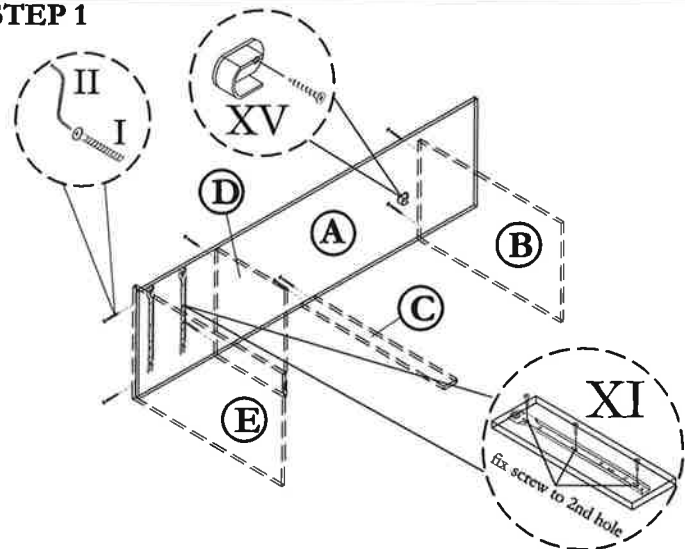


ASSEMBLY INSTRUCTION

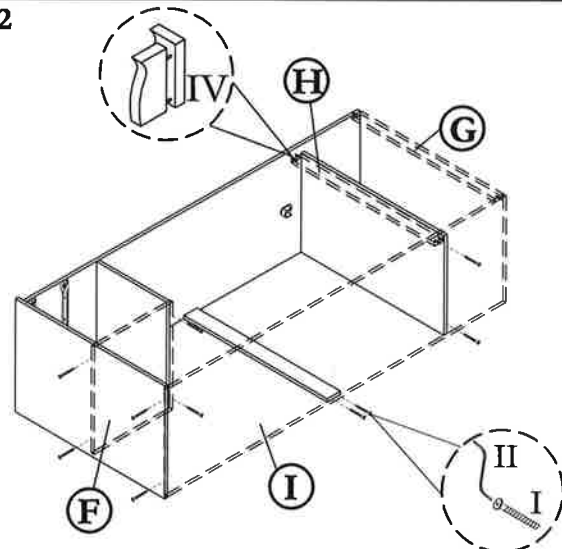
MODEL : 6905 MARC / WARDROBE

Before you begin, please follow assembly instruction carefully.
Then follow them step by step.

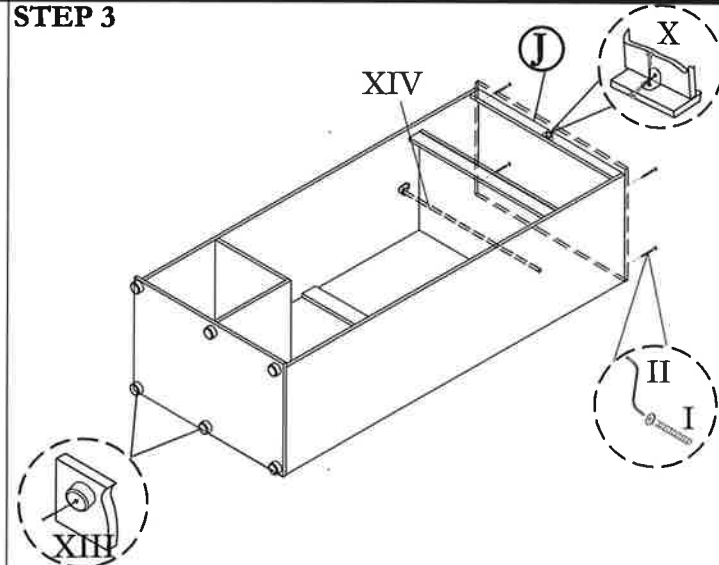
STEP 1



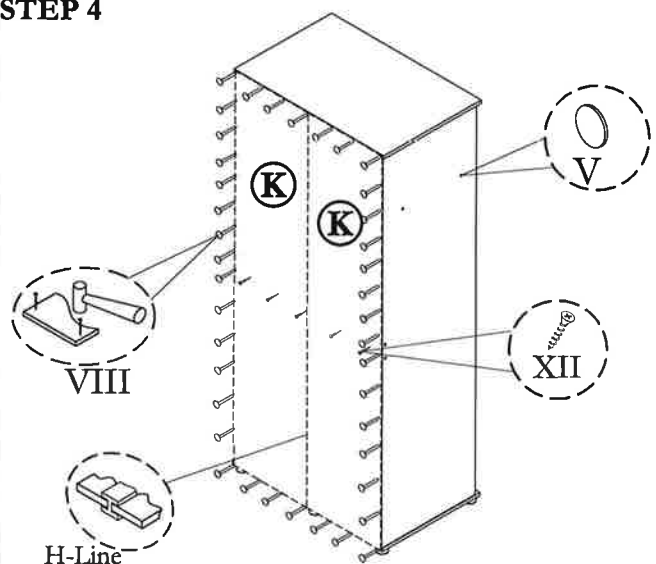
STEP 2



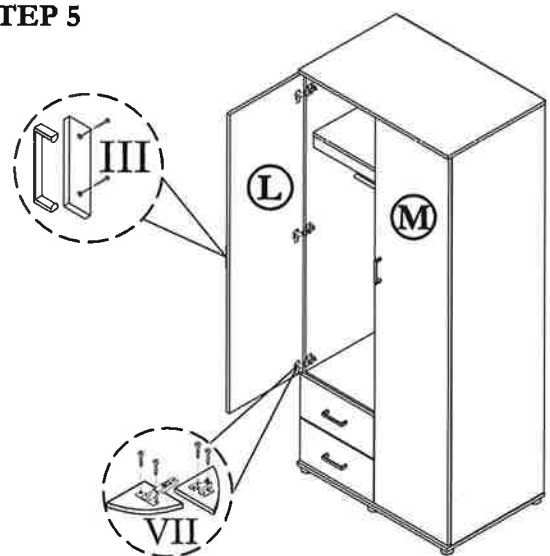
STEP 3



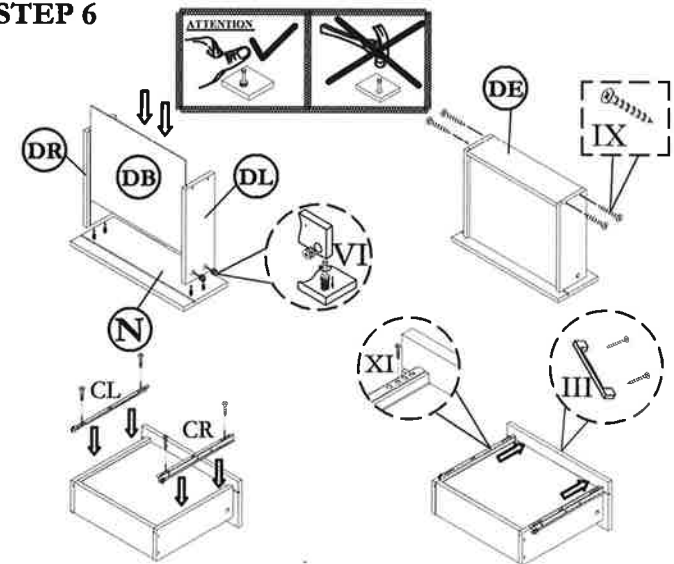
STEP 4



STEP 5



STEP 6



HARDWARE LIST			
NO	DESCRIPTION		QTY
I	JCBCW SCREW M6.3 x 50		22pcs
II	M4 ALLEN KEY		1pc
III	HANDLE & SCREW M3.5 x 30		4sets
IV	PLASTIC DOWEL M8 x 30		6pcs
V	STICKER		10pcs

VI	Q-FIT		8sets
VII	HINGE (A) & SCREW M3.5 x 14		6sets
VIII	NAIL		50pcs
IX	M8 x 32 CHIPBOARD SCREW		8pcs
X	L-BRACKET & SCREW M3.5 x 14		1sets
XI	14" DRAWER SLIDER & SCREW M3.5 x 14		2sets
XII	M3.5 x 14 CHIPBOARD SCREW		5pcs

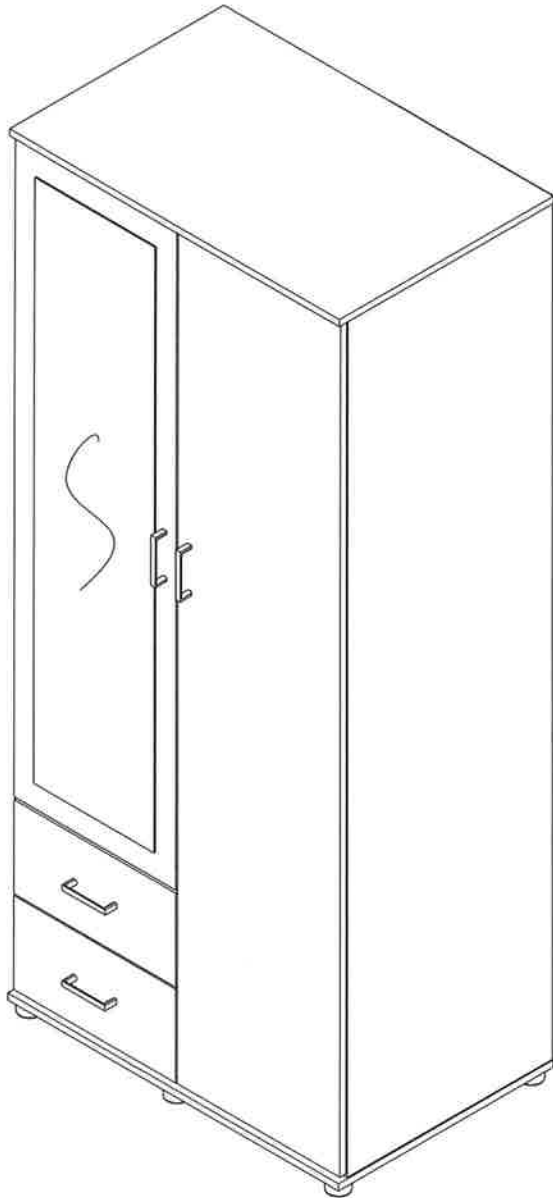
XIII	PVC LEG & SCREW M3.5 x 30		6sets
XIV	PIPE WOOD SIZE : 29 8/8"		1pc
XV	PIPE SUPPORT & SCREW M3.5 x 14		2sets

CAUTION:

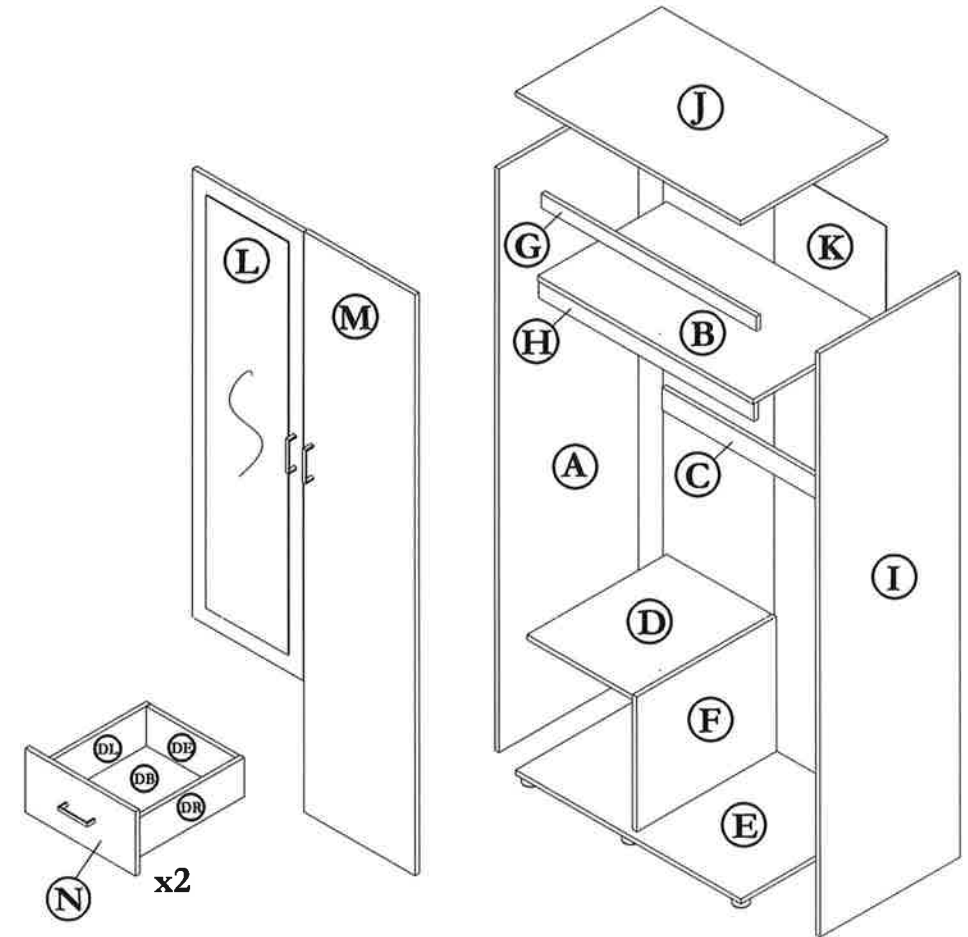
To clean use soft, dry cloth. Do not use detergent or chemicals
 Avoid contact with water and direct sunlight.
 To be assembled on a soft, dry, clean and smooth surface.

ORDERING REPAIR PARTS

In order to obtain smooth and rapid service when ordering repair parts,
 please give full attention to the following of PART NUMBER.



COMPLETE SET



NO	DESCRIPTION	QTY
A	LEFT SIDE	01
B	CENTRE SHELF	01
C	BACK SUPPORT	01
D	CENTRE SHELF	01
E	LOWER SHELF	01
F	CENTRE VERTICAL	01
G	TOP SUPPORT	01

NO	DESCRIPTION	QTY
H	CENTRE SHELF SUPPORT	01
I	RIGHT SIDE	01
J	TOP	01
K	BACK	02
L	LEFT SIDE DOOR	01
M	RIGHT SIDE DOOR	01

NO	DESCRIPTION	QTY
N	DRAWER FACE	02
DL	DRAWER SIDE (Left)	02
DR	DRAWER SIDE (Right)	02
DB	DRAWER BASE	02
DE	DRAWER END	02