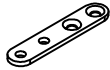

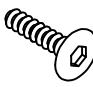





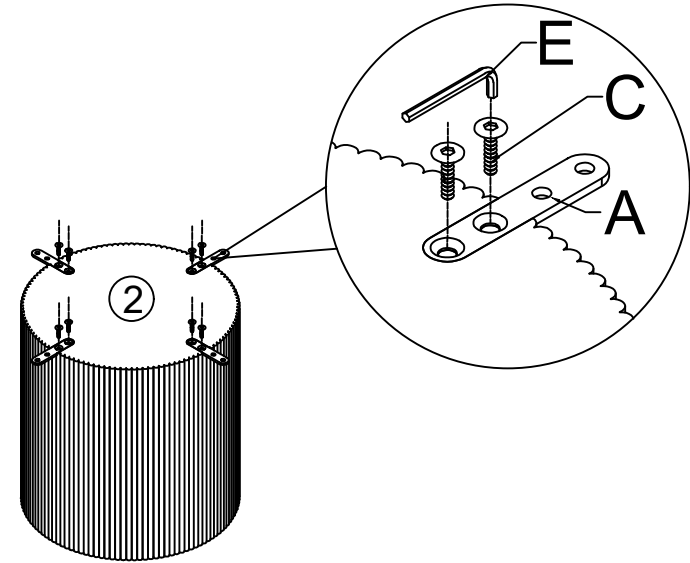
ASSEMBLY INSTRUCTION 51835

1

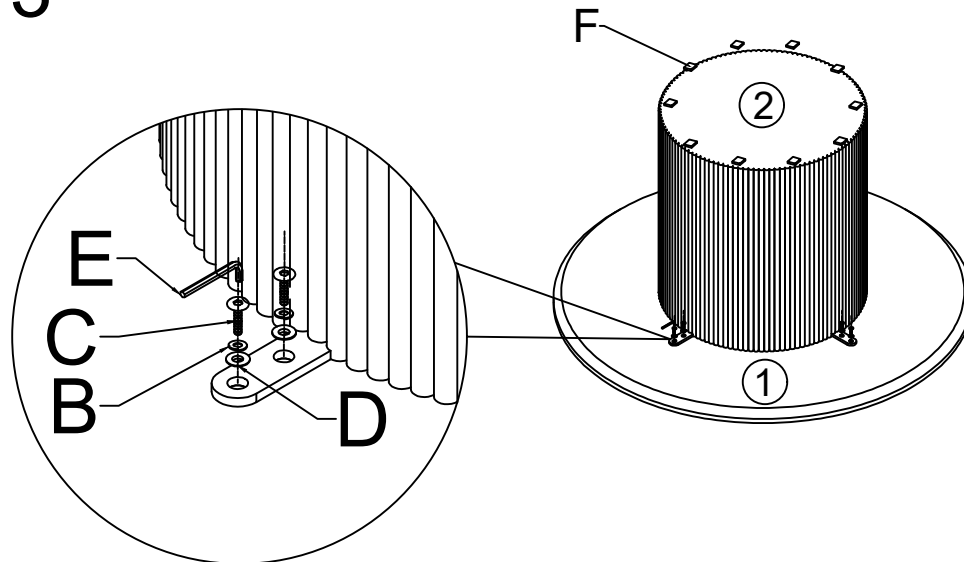
LIST OF ACCESSORIES

A		B		C		D	
100*20*4	x4	M6	x8	6*20	x16	M6	x8
E		F					
4#	x1	40*40*2	x10				

2



3



4

